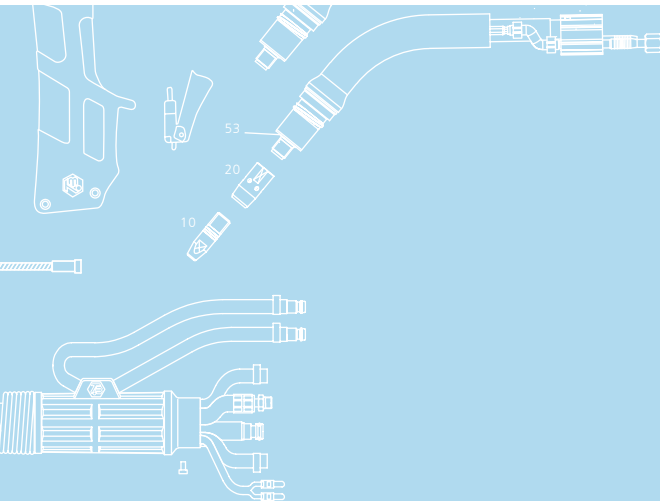




Top 2000 TBi 9W 3C



3-circuit water cooling

Perfectly suited for pulsed arc welding

For welds with extreme heat reflection

Technical data

MIG / MAG (GMAW) Semi-automatic welding torch TBi 9W 3C

Rating at 100% duty cycle
(10 min. cycle)

- Mixed gas: 600 A
- CO₂: 650 A

Cooling method 3-circuit water cooling

Wire diameter 1.0 - 1.6 mm

Gas flow 15 l/min

Technical specification according to IEC 60974-7

Weight with 1.5 m cable 2.0 kg

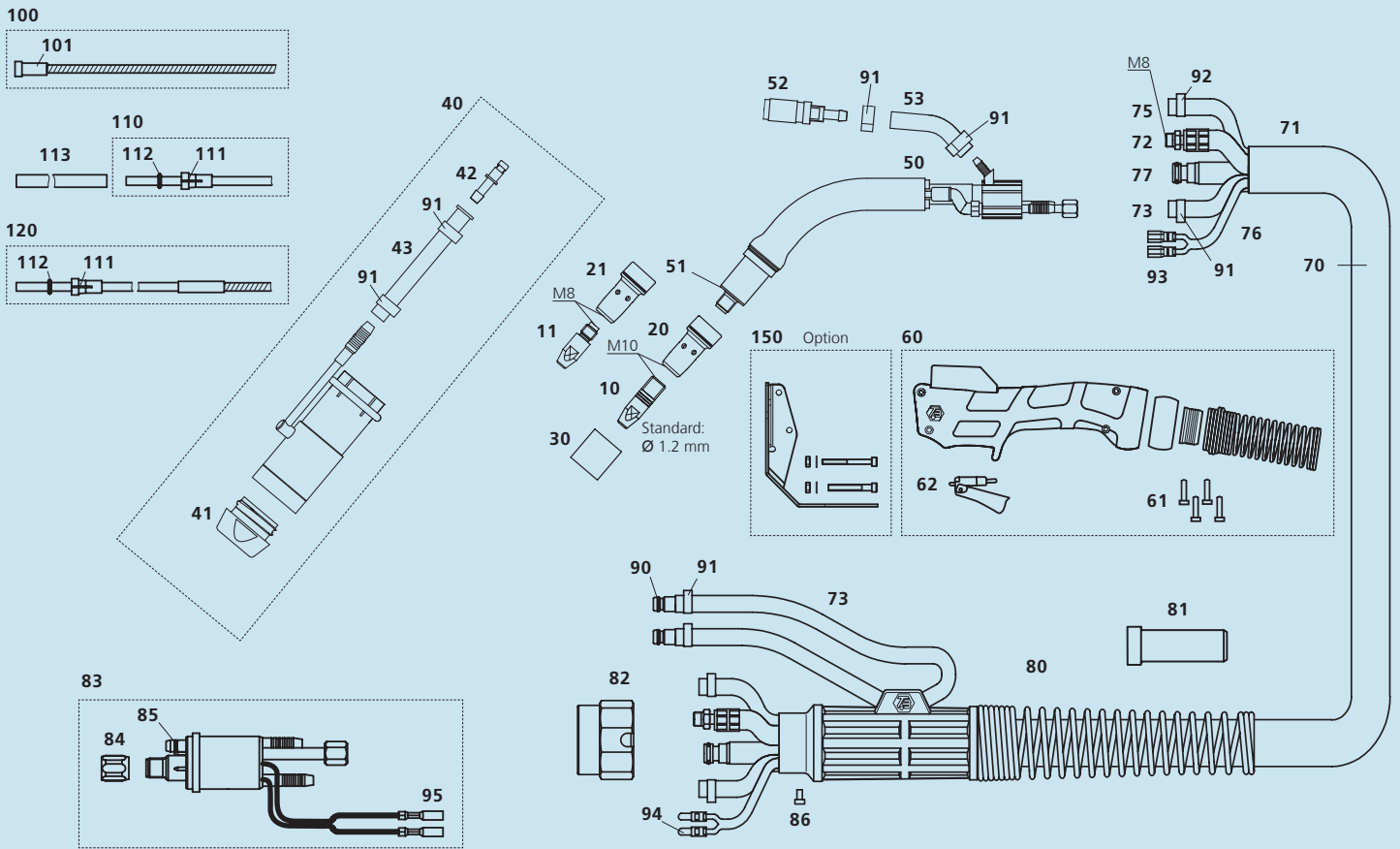
Connection Euro-Central connector
Other connectors (e.g. CLOOS®,
ESAB®, Lincoln®) available upon
request.

Torch rating will be reduced when using pulsed-arc power sources.
Special torch necks and custom lengths of the cable assembly are
available upon request.

Ordering Information

TBi 9W 3C ESW, 50° bent 171P5YA5_0*

* At the blank, please insert 3, 4 or 5 for a torch length of 3, 4 or 5 m.



Pos.	Description	Part. No.	Pos.	Description	Part. No.
Contact tips					
▶ 10	Contact tip M10x33, ECu	340P_1402*	77	Wire conduit yellow (Top 2000)	356P0C0C_0*
10	Contact tip M10x33, CuCrZr	343P_3402*	80	Cable support 3 parts cpl. with spring	701P101071
11	Contact tip M8x30, ECu	340P_1262*	81	Cable support 70 sqmm	600P002107
11	Contact tip M8x30, CuCrZr, HD	343P_3262*	82	Adaptor nut	701P001013
11	Contact tip M8x30 Alu, ECu	341P_1262*	83	Central adaptor ESW cpl., moveable pins (Top 2000)	701P101006
Tip holders					
▶ 20	Tip holder M10 / L=27 mm, CuCrZr	342P010071	84	Sleeve nut M10x1	701P002005
21	Tip holder M8 / L=30 mm, CuCrZr	342P008071	85	O-ring 4.0x1.0 mm (gas nipple)	365P100040
Gas diffusers / Nozzle insulators					
▶ 30	Nozzle insulator glasfiber	346P054860	86	Slotted screw M4x6	100P008401
Gas nozzles					
▶ 40	Nozzle NW 16, water cooled, cpl., L=81 mm	345PA22471	90	Quick connector	701P002064
▶ 41	Nozzle front part NW 16.0 mm	171P102040	91	Hose clamp Ø 9.5 with ring	373P100095
41	Nozzle front part NW 18.0 mm	171P102003	92	Hose clamp Ø 8.7	371P000087
42	Quick connector	956P102001	93	Cable lug, flat	375P000023
43	Reinforced rubber hose, black 5x1.9 mm	303P040000	94	Insulated connector, male, round	375P000004
Spare parts					
50	Torch neck TBi 9W 3C, 50°	171P101008	95	Insulated connector, female, round	375P000003
51	Insulator	171P102021	Wire guides		
52	Quick connector (4 mm)	171P102045	▶ 100	Liner w/o insulation (x.40 m) for wire 1.0-1.2	322P2045_4*
53	Braided rubber hose, black 4.7x2 mm	303P170000	100	Liner w/o insulation (x.40 m) for wire 1.4-1.6	322P2545_4*
60	Handle blue, cpl. kit (TBi 9W 3C)	380P220107	101	Collet for liners dia. 4.5 mm	330P025045
61	Cross recessed screw M3.5x14	100P008413	110	Teflon liner red (x.50 m) for wire 1.0-1.2	326P2040_5*
62	Trigger, red, 2 poles	385P021016	110	Teflon liner yellow (x.50 m) for wire 1.2-1.6	326P2747_5*
70	Cable assembly TBi Top 2000, HD	171P4S45_0*	111	Collet for teflon and PA liner 4.0 mm	331P020040
71	Fabric outer cover 25x1.5 mm, cpl.	307P2528_A*	111	Collet for teflon and PA liner 4.7 mm	331P027047
72	Water-power cable Top 2000, black, HD	314P1622_0	112	O-ring 3.50x1.50 mm (teflon liner)	365P150035
73	Water hose 2-C, black, 5x1.5 mm	303P070000	113	Support tube 5x4.4 mm, L=150 mm	329P544150
75	PVC-Gas hose, black, 4.5x1.5 mm	302P010000	120	PA-Alu wire guide (x.50 m) for wire 1.0-1.2	328P2040_A*
76	Control cable x.30 m cpl.	301P2304_0*	120	PA-Alu wire guide (x.50 m) for wire 1.2-1.6	328P2347_A*
			120	PA-Alu wire guide (x.50 m) for wire 2.0-2.4	328P2947_A*
Accessories					
			150	Heat shield, upgrade kit	381P101006

▶ = Standard equipment

* At the blank, please insert suitable information for torch length or wire diameter, e.g. 08 for 0.8 mm or 3 for 3 m.

© 2009 TBI Industries GmbH. All rights reserved. Subject to change without notice. Warranty only when using original TBI consumables and spare parts. Excerpts and reprints not permitted. Nr. DOKP111102, 08/2009.

TBI Industries GmbH
Ruhberg 14
D-35463 Fernwald-Steinbach
Postfach 67
D-35461 Fernwald-Steinbach

Tel. + 49 6404 9171-0
Fax. + 49 6404 9171-40
Internet: www.tbi-industries.com
E-mail: info@tbi-industries.com