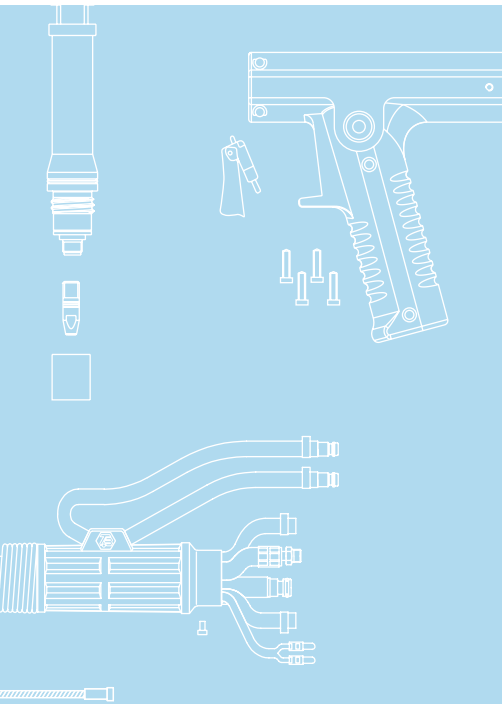




## Top 2000 TBI 10W



2-circuit water cooling

Heavy duty torch for up to 650 A

Designed for wires up to Ø 3.2 mm

### Technical data

#### MIG/MAG (GMAW) Semi-automatic welding torch TBI 10W

Rating at 100% duty cycle  
(10 min. cycle)

- Mixed gas: 650 A  
- CO<sub>2</sub>: 700 A

Cooling method 2-circuit water cooling

Wire diameter 1.6 - 3.2 mm

Gas flow 28 l/min

Technical specification according to IEC 60974-7

Weight with 1.5m cable 2.10 kg

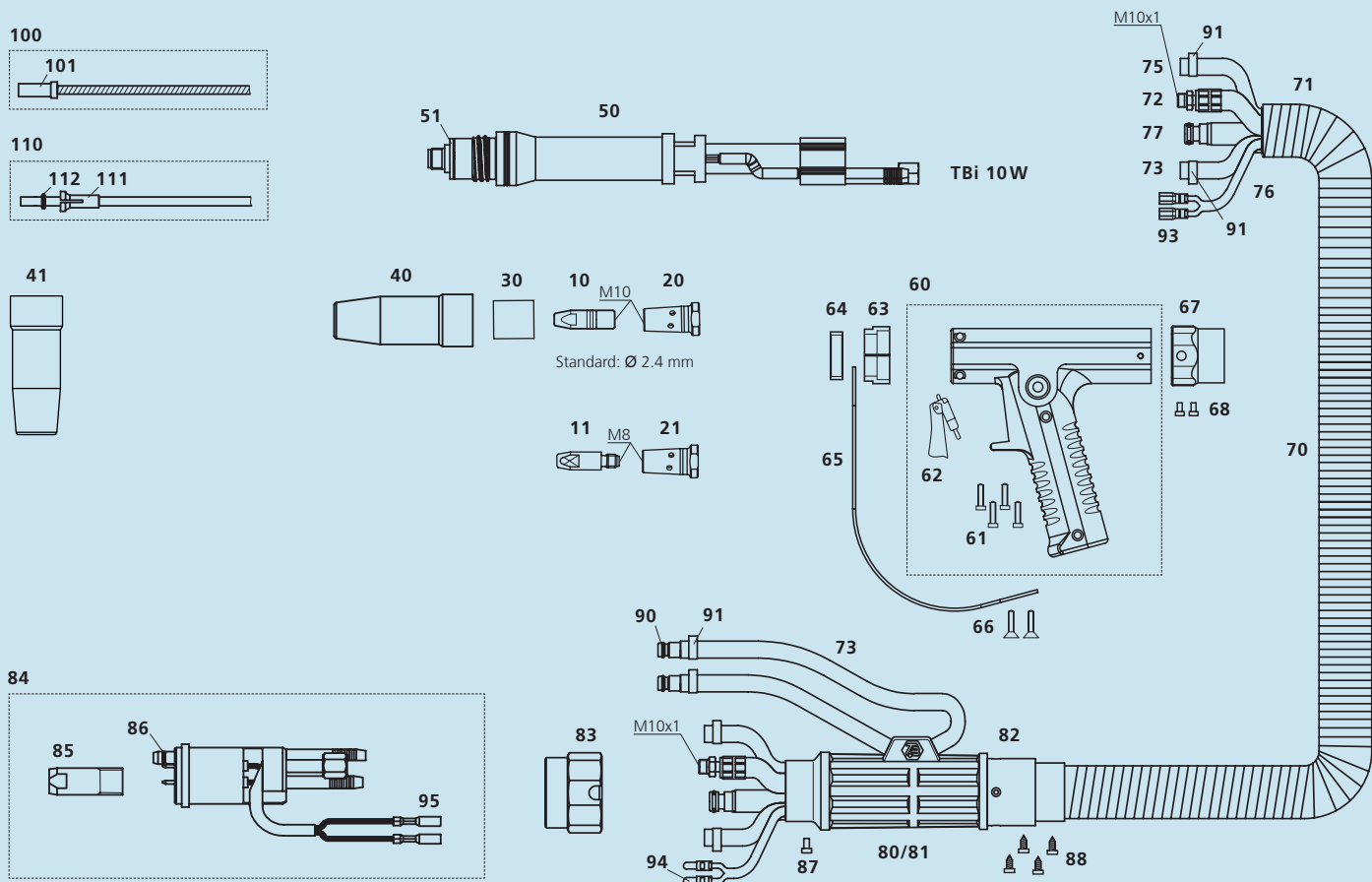
Connection Euro-Central connector  
Other connectors (e.g. CLOOS®, ESAB®, Lincoln®) available upon request.

Torch rating will be reduced when using pulsed-arc power sources. Special torch necks and custom lengths of the cable assembly are available upon request.

### Ordering information

TBI 10W RWZ, straight torch 170P1725\_0\*

\* At the blank, please insert 3, 4 or 5 for a torch length of 3, 4 or 5m.



Pos.	Description	Part. No.	Pos.	Description	Part. No.
<b>Contact tips</b>					
10	Contact tip M10x33, ECu	340P__1402*	72	Water-power cable HD (8W, 10W)	314P16GG_0*
▶ 10	<b>Contact tip M10x33, CuCrZr</b>	<b>343P_3402*</b>	73	Water hose 2-C, black, 5x1.5 mm	303P070000
11	Contact tip M8x30, ECu	340P__1262*	75	PVC-Gas hose, black, 5x1.5 mm	302P020000
11	Contact tip M8x30, CuCrZr	340P__3262*	76	Control cable x.30 m cpl.	301P2304_0*
11	Contact tip M8x30 Alu, ECu	341P__1262*	77	Wire conduit, black (8W, 10W)	354P0C0C_0*
<b>Tip holders</b>					
▶ 20	<b>Tip holder M10 / L=29 mm</b>	<b>342P010072</b>	80	Cable support housing (only with pos. 81)	701P102070
21	Tip holder M8 / L=30 mm	342P008072	81	Cable support cover (only with pos. 80)	701P102071
<b>Nozzle insulators</b>					
▶ 30	<b>Nozzle insulator TBi 10W</b>	<b>346P015170</b>	82	Rear fitting for corrugated tube 29 mm	671P102533
<b>Gas nozzles</b>					
▶ 40	<b>Nozzle con., NW 16.00 mm, L=82.5 mm</b>	<b>345P022170</b>	83	Adaptor nut	701P001013
41	Nozzle con., NW 19.00 mm, L=82.5 mm	345P122170	84	Central adapter RWZ cpl. (8W, 10W), moveable pins	701P001001
<b>Spare parts</b>					
50	Torch neck TBi 10W, straight	170P101002	85	Centering bolt M14x1 RGZ / RWZ	701P002083
51	Insulating washer	070P102009	86	O-ring 4.0x1.0 mm (gas nipple)	365P100040
60	Pistol-style handle, black, cpl. (TBi 10W)	380P201031	87	Slotted screw M4x6	100P008401
61	Socket cap screw M4x10	100P008403	88	Screw for air regulator	100P797103
62	Trigger, red, 2 poles	385P021016	90	Quick connector	701P002064
63	Inner ring	170P102025	91	Hose clamp Ø 9.5 with ring	373P100095
64	Outer ring	170P102026	93	Cable lug, flat	375P000023
65	Shield	381P102004	94	Insulated connector, male, round	375P000004
66	Countersunk screw M4x8	109P096501	95	Insulated connector, female, round	375P000003
67	Front fitting for corrugated tube 29 mm	170P102027	<b>Wire guides</b>		
68	Slotted screw M4x6, PVC	100P008408	100	Liner w/o insulation (x.40 m) for wire 1.6-2.0	322P2863_4*
70	Cable assembly TBi 10W	170P4545_0*	100	Liner w/o insulation (x.40 m) for wire 2.0-2.4	322P3570_4*
71	Fume extraction hose D=29 mm	306P293600	▶ 100	<b>Liner w/o insulation (x.40 m) for wire 2.8-3.2</b>	<b>322P4570_4*</b>
			101	Collet for liner 2.8x6.3	330P028063
			101	Collet for liner 3.5x7.0	330P035070
			101	Collet for liner 4.5x7.0	330P045070
			110	Teflon liner white (x.50 m) for wire 1.6-2.8	326P4060_5*
			111	Collet for teflon and PA liners 4.0x6.0	331P040060
			112	O-ring 5.0x1.5 mm	365P150050

▶ = Standard equipment

\* At the blank, please insert suitable information for torch length or wire diameter, e.g. 08 for 0.8 mm or 3 for 3 mm.

© 2009 TBi Industries GmbH. All rights reserved. Subject to change without notice. Warranty only when using original TBi consumables and spare parts. Excerpts and reprints not permitted. Nr. DOKP112212, 07/2009.