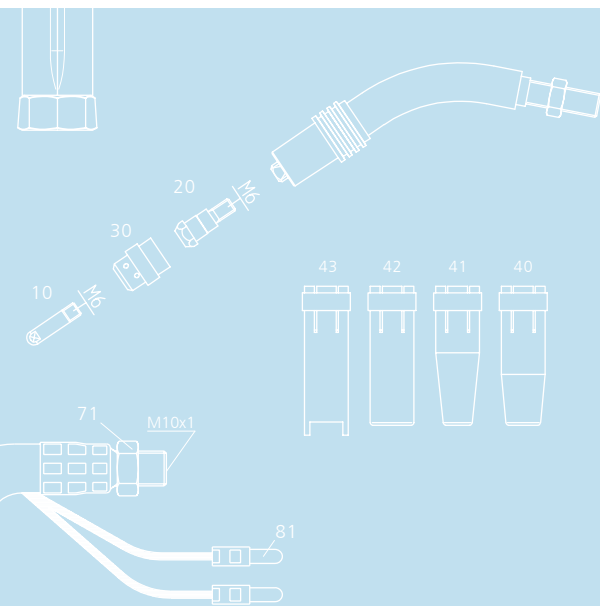




Classic TBI 230



Air cooled

Very small and ergonomic

TBi-Flex rubber coaxial cable

Technical data

MIG/MAG (GMAW) Semi-automatic welding torch TBI 230

Rating at 60% duty cycle
(10 min. cycle)

- Mixed gas: 200 A
- CO₂: 230 A

Cooling method Air cooling

Wire diameter 0.8 - 1.2 mm

Gas flow 10 l/min

Technical specification according to IEC 60974-7

Weight with 1.5m cable 1.20 kg

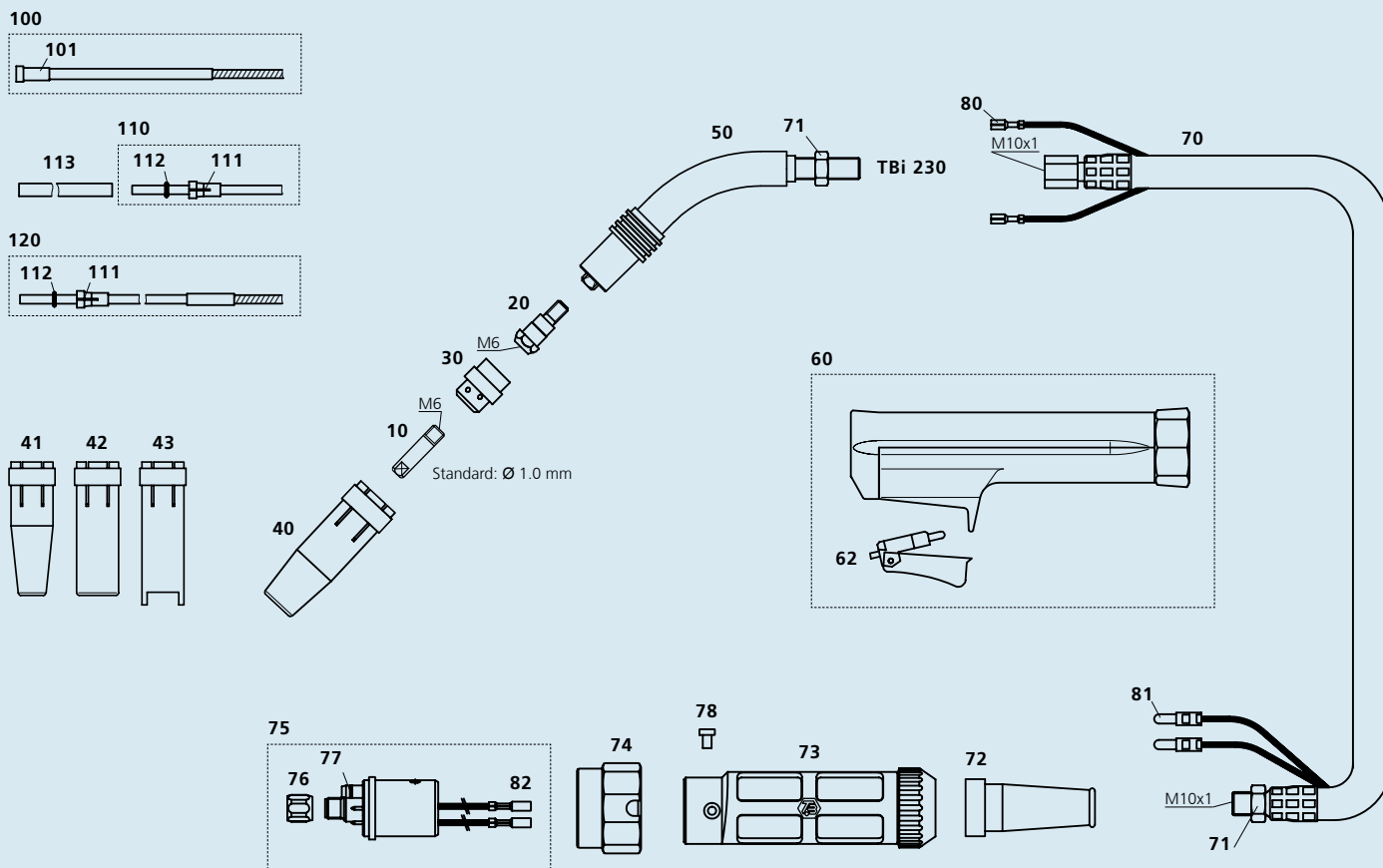
Connection Euro-Central connector
Other connectors (e.g. CLOOS®, ESAB®, Lincoln®) available upon request.

Torch rating will be reduced when using pulsed-arc power sources.
Special torch necks and custom lengths of the coaxial cable are available upon request.

Ordering Information

TBi 230 ESG, 50° bent 105P3113_0*

* At the blank, please insert 3, 4 or 5 for a torch length of 3, 4 or 5 m.



Pos. Description

Part. No.

Contact tips

▶ 10	Contact tip M6x25, Ecu	340P_1073*
10	Contact tip M6x25, CuCrZr	340P_3073*
10	Contact tip M6x25 Alu, Ecu	341P_1073*

Tip holders

▶ 20	Tip holder M6 / L=26 mm	342P006012
-------------	--------------------------------	-------------------

Gas diffusers

▶ 30	Gas diffuser, red	112P002019
30	Gas diffuser, ceramic	112P002021
30	Gas diffuser, white	112P102019
30	Gas diffuser, brown	112P002022

Gas nozzles

▶ 40	Nozzle con. diam. 12.5 mm	345P012012
40	Nozzle con. diam. 12.5 mm HD	345P012312
41	Nozzle con. diam. 10.0 mm	345P013012
42	Nozzle cyl. diam. 17.0 mm	345P011012
42	Nozzle cyl. diam. 17.0 mm HD	345P011312
43	Spot weld nozzle diam. 17.0 mm	345P015012

Spare parts

50	Torch neck TBi 230, 50°	105P001030
60	Handle small, blue, cpl. (TBi 230)	380P220001
62	Trigger, red, 2 poles	385P021016
70	TBi-Flex coaxial cable 25 sqmm (TBi 230)	360P2551_0*
71	Hex nut M10x1	101P002005
72	Cable support 16-50 sqmm	600P002106
73	Cable support cpl. (2 pieces)	701P001045
74	PVC adaptor nut	701P002081
75	Central adaptor ESG cpl., 2 poles, moveable pins	701P001048

Pos. Description

Part. No.

76	Sleeve nut M10x1	701P002005
77	O-ring 4.0x1.0 mm (gas nipple)	365P100040
78	Slotted screw M4x6	100P008401
80	Cable lug, flat	375P000023
81	Insulated connector, male, round	375P000004
82	Insulated connector, female, round	375P000003

Wire guides

▶ 100	Liner w/ insulation blue (x.40 m) for wire 0.8-1.0	324P1545_4*
100	Liner w/ insulation red (x.40 m) for wire 1.0-1.2	324P2045_4*
101	Collet for liners dia. 4.5 mm	330P025045
110	Teflon liner blue (x.50 m) for wire 0.6-0.9	326P1540_5*
110	Teflon liner red (x.50 m) for wire 1.0-1.2	326P2040_5*
111	Collet for teflon and PA liner 2.0x4.0 mm	331P020040
112	O-ring 3.50x1.50 mm (teflon liner)	365P150035
113	Support tube 5x4.4 mm, L=150 mm	329P544150
120	PA-Alu wire guide (x.50 m) for wire 1.0-1.2	328P2040_A*

▶ = Standard parts

* At the blank, please insert suitable information for torch length or wire diameter, e.g. 08 for 0.8 mm or 3 for 3 m.

© 2007 TBI Industries GmbH. All rights reserved. Subject to change without notice. Warranty only when using original TBI consumables and spare parts. Excerpts and reprints not permitted. Nr. DOKP111212, 12/2007.

TBI Industries GmbH
Ruhberg 14
D-35463 Fernwald-Steinbach
P.O. Box 67
D-35461 Fernwald-Steinbach

Tel. + 49 6404 9171-0
Fax. + 49 6404 9171-40
Internet: www.tbi-industries.com
E-mail: info@tbi-industries.com