



## *Classic* TBI 240 E3

Air cooled

Same consumables as TBI 240

Slip-on fume shroud

### Technical data

#### MIG/MAG semi-automatic fume extraction welding torch TBI 240 E3

Rating at 60% duty cycle  
(10 min. cycle)

- Mixed gas: 235 A  
- CO<sub>2</sub>: 265 A

Cooling method air cooling

Wire diameter 0.8 - 1.2 mm

Gas flow 12 l/min

Technical specification according to IEC 60974-7

Weight with 1.5m cable 1.40 kg

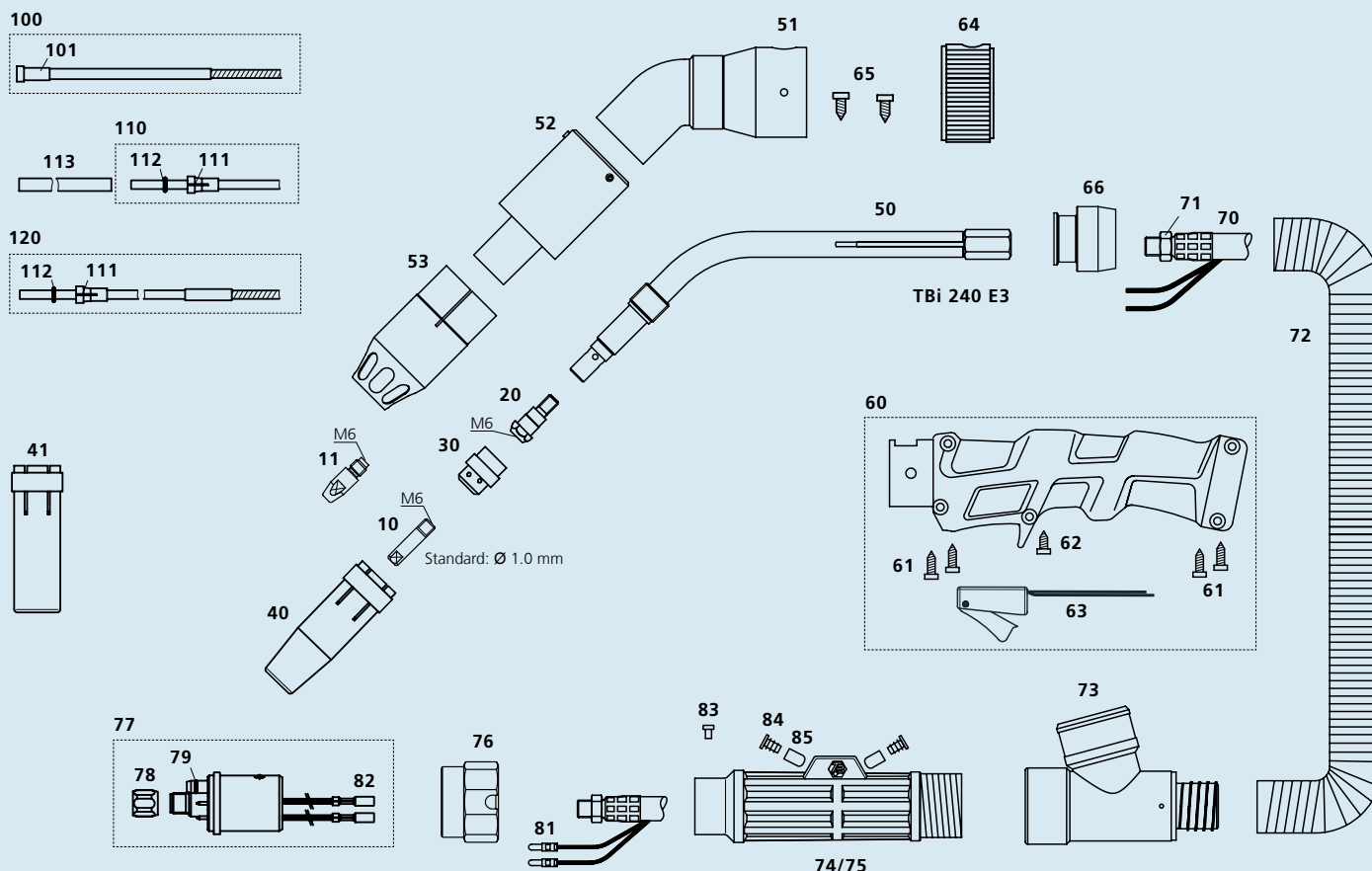
Connection Euro-Central connector,  
other connectors (e.g. CLOOS®, ESAB®,  
Lincoln®) available upon request.

Torch rating will be reduced when using pulsed-arc power sources.  
Custom lengths of the cable assembly are available upon request.

### Ordering Information

TBi 240 E3 ESG, 50° bent 212P3X13\_0\*

\* At the blank, please insert 3, 4 or 5 for a torch length of 3, 4 or 5 m.



Pos.	Description	Part. No.	Pos.	Description	Part. No.
<b>Contact tips</b>					
▶ 10	<b>Contact tip M6x25, Ecu</b>	<b>340P_1073*</b>	65	Screw for air regulator	100P797103
10	Contact tip M6x25, CuCrZr	340P_3073*	66	Handle fitting for 29 mm fume hose	252P102026
10	Contact tip M6x25 Alu, Ecu	341P_1073*	70	Coaxial cable cpl., 25 sqmm	359P2511_0*
11	Contact tip M6x28, Ecu	340P_1069*	71	Hex nut M10x1	101P002005
11	Contact tip M6x28, CuCrZr	340P_3069*	72	Fume extraction hose D=29 mm	306P293600
11	Contact tip M6x28 Alu, Ecu	341P_1069*	73	T-joint cpl. for 29 mm fume hose	200P101013
<b>Tip holders</b>					
▶ 20	<b>Tip holder M6 / L=26 mm</b>	<b>342P006012</b>	74	Cable support housing (only with pos. 75)	701P102070
<b>Gas diffusers</b>					
▶ 30	<b>Gas diffuser, red</b>	<b>112P002019</b>	75	Cable support cover (only with pos. 74)	701P102071
30	Gas diffuser, ceramic	112P002021	76	Adaptor nut	701P001013
30	Gas diffuser, white	112P102019	77	Central adaptor ESG cpl., 2 poles, moveable pins	701P001048
30	Gas diffuser, brown	112P002022	78	Sleeve nut M10x1	701P002005
<b>Gas nozzles</b>					
▶ 40	<b>Nozzle con. diam. 12.5 mm</b>	<b>345P012012</b>	79	O-ring 4.0x1.0 mm (gas nipple)	365P100040
41	Nozzle cyl. diam. 17.0 mm	345P011012	81	Insulated connector, male, round	375P000004
<b>Spare parts</b>					
50	Torch neck TBI 240 E3	212P001004	82	Insulated connector, female, round	375P000003
51	Outer tube TBI 240/241/5G/5W E3	223P001010	83	Slotted screw M4x6	100P008401
52	Nozzle support TBI 240 E3/241 E3	223P001013	84	Square cap	200P102006
53	Fume shroud TBI 240/241/5G/5W E3	212P001001	85	Cap for water connector	395P000004
60	Handle cpl., blue, housed micro switch, TBI E2/E3	380P220606	<b>Wire guides</b>		
61	Self-cutting screw 3.5x14.0 mm	100P797101	100	Liner w/ insulation blue (x.40 m) for wire 0.8-1.0	324P1545_4*
62	Self-cutting screw, short, TBI E3	100P008411	▶ 100	<b>Liner w/ insulation red (x.40 m) for wire 1.0-1.2</b>	<b>324P2045_4*</b>
63	Micro switch, housed, cpl.	600P101046	101	Collet for liners dia. 4.5 mm	330P025045
64	Air regulator large	200P102001	110	Teflon liner blue (x.50 m) for wire 0.6-0.9	326P1540_5*
			110	Teflon liner red (x.50 m) for wire 1.0-1.2	326P2040_5*
			111	Collet for teflon and PA liner 4.0 mm	331P020040
			112	O-ring 3.50x1.50 mm (teflon liner)	365P150035
			113	Support tube 5x4.4 mm, L=150 mm	329P544150
			120	PA-Alu wire guide (x.50 m) for wire 1.0-1.2	328P2040_A*

▶ = Standard equipment

\* At the blank, please insert suitable information for torch length or wire diameter, e.g. 08 for 0.8 mm or 3 for 3 m.

© 2007 TBI Industries GmbH. All rights reserved. Subject to change without notice. Warranty only when using original TBI consumables and spare parts. Excerpts and reprints not permitted. Nr. DOKP113512, 12/2007.

TBI Industries GmbH  
Ruhberg 14  
D-35463 Fernwald-Steinbach  
P.O. Box 67  
D-35461 Fernwald-Steinbach

Tel. + 49 6404 9171-0  
Fax. + 49 6404 9171-40  
Internet: [www.tbi-industries.com](http://www.tbi-industries.com)  
E-mail: [info@tbi-industries.com](mailto:info@tbi-industries.com)