



Classic TBi 360 E3

Air cooled

Same consumables as TBi 360

Slip-on fume shroud

Technical data

MIG/MAG semi-automatic fume extraction welding torch TBi 360 E3

Rating at 60% duty cycle
(10 min. cycle)

- Mixed gas: 335 A
- CO₂: 350 A

Cooling method air cooling

Wire diameter 1.0 - 1.2 mm

Gas flow 12 l/min

Technical specification according to IEC 60974-7

Weight with 1.5m cable 2.00 kg

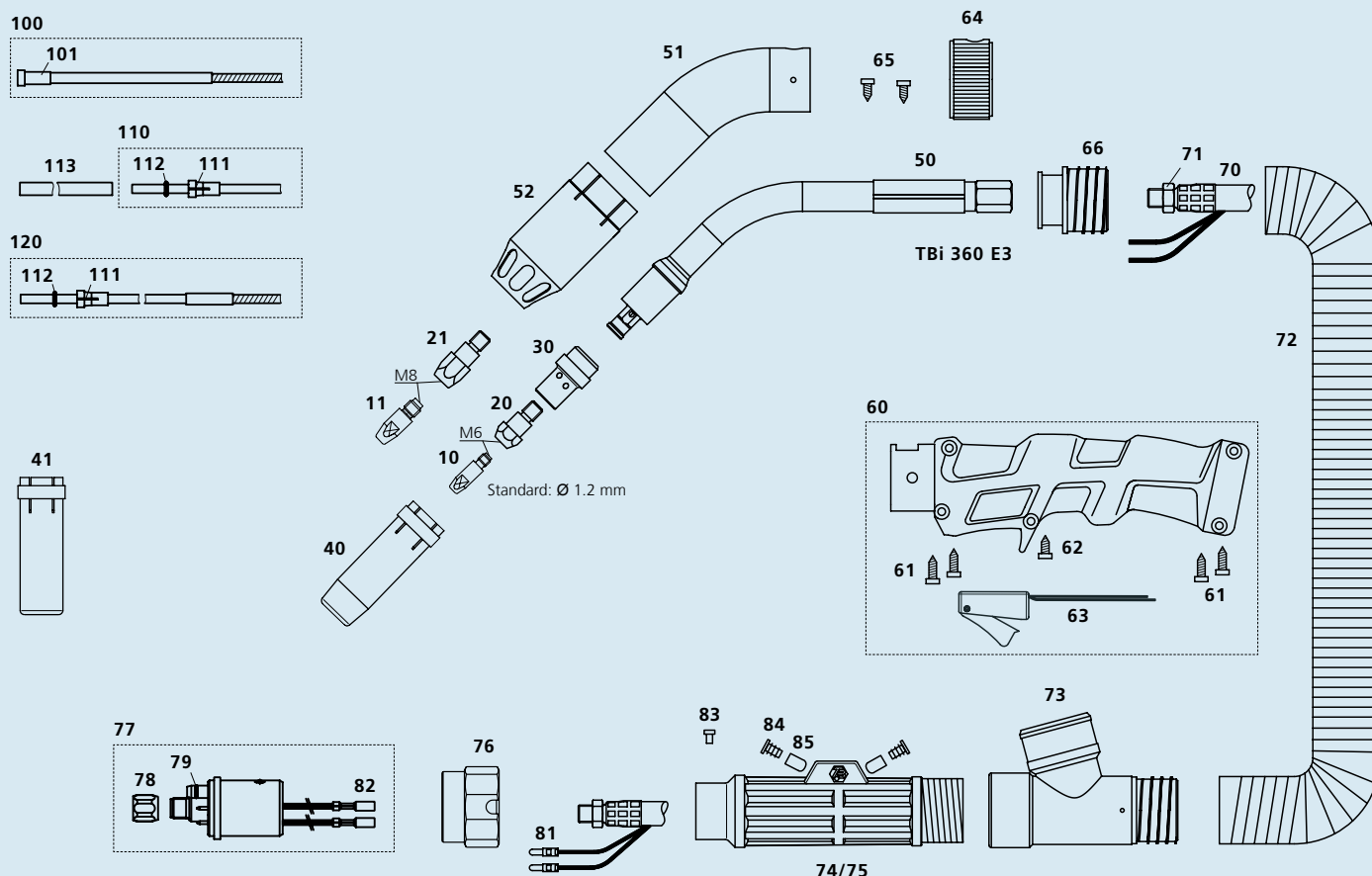
Connection Euro-Central connector,
other connectors (e.g. CLOOS®, ESAB®,
Lincoln®) available upon request.

Torch rating will be reduced when using pulsed-arc power sources.
Custom lengths of the cable assembly are available upon request.

Ordering Information

TBi 360 E3 ESG, 50° bent 214P3X13_0*

* At the blank, please insert 3, 4 or 5 for a torch length of 3, 4 or 5 m.



Pos. Description

Part. No.

Pos. Description

Part. No.

Contact tips

| | | |
|------|-------------------------------|-------------------|
| ▶ 10 | Contact tip M6x28, Ecu | 340P_1069* |
| 10 | Contact tip M6x28, CuCrZr | 340P_3069* |
| 10 | Contact tip M6x28 Alu, Ecu | 341P_1069* |
| 11 | Contact tip M8x30, Ecu | 340P_1262* |
| 11 | Contact tip M8x30, CuCrZr | 340P_3262* |
| 11 | Contact tip M8x30 Alu, Ecu | 341P_1262* |

Tip holders

| | | |
|------|--------------------------------|-------------------|
| ▶ 20 | Tip holder M6 / L=28 mm | 342P006014 |
| 20 | Tip holder M6 / L=32 mm | 342P006114 |
| 21 | Tip holder M8 / L=28 mm | 342P008014 |
| 21 | Tip holder M8 / L=34 mm | 342P008114 |

Gas diffusers

| | | |
|------|----------------------------|-------------------|
| ▶ 30 | Gas diffuser, white | 114P002003 |
| 30 | Gas diffuser, ceramic | 114P002005 |
| 30 | Gas diffuser, black | 114P002007 |
| 30 | Gas diffuser, brown | 114P002011 |

Gas nozzles

| | | |
|------|----------------------------------|-------------------|
| ▶ 40 | Nozzle con. diam. 16.0 mm | 345P012010 |
| 41 | Nozzle cyl. diam. 20.0 mm | 345P011010 |

Spare parts

| | | |
|----|---|------------|
| 50 | Torch neck TBi 360 E3 | 214P001036 |
| 51 | Outer tube TBi 360/511/7G/7W E3 | 234P102035 |
| 52 | Fume shroud TBi 360/511/7G/7W E3 | 200P002043 |
| 60 | Handle cpl., blue, housed micro switch, TBi E2/E3 | 380P220606 |
| 61 | Self-cutting screw 3.5x14.0 mm | 100P797101 |

| | | |
|----|--|-------------|
| 62 | Self-cutting screw, short, TBi E3 | 100P008411 |
| 63 | Micro switch, housed, cpl. | 600P101046 |
| 64 | Air regulator large | 200P102001 |
| 65 | Screw for air regulator | 100P797103 |
| 66 | Handle fitting for 38 mm fume hose | 274P102011 |
| 70 | Coaxial cable cpl., 50 sqmm | 359P5011_0* |
| 71 | Hex nut M10x1 | 101P002005 |
| 72 | Fume extraction hose D=38 mm | 306P384600 |
| 73 | T-joint cpl. for 38 mm fume hose | 200P101012 |
| 74 | Cable support housing (only with pos. 75) | 701P102070 |
| 75 | Cable support cover (only with pos. 74) | 701P102071 |
| 76 | Adaptor nut | 701P001013 |
| 77 | Central adaptor ESG cpl., 2 poles, moveable pins | 701P001048 |
| 78 | Sleeve nut M10x1 | 701P002005 |
| 79 | O-ring 4.0x1.0 mm (gas nipple) | 365P100040 |
| 81 | Insulated connector, male, round | 375P000004 |
| 82 | Insulated connector, female, round | 375P000003 |
| 83 | Slotted screw M4x6 | 100P008401 |
| 84 | Square cap | 200P102006 |
| 85 | Cap for water connector | 395P000004 |

Wire guides

| | | |
|-------|--|--------------------|
| ▶ 100 | Liner w/ insulation red (x.40 m) for wire 1.0-1.2 | 324P2045_4* |
| ▶ 100 | Liner w/ insulation yellow (x.40 m) for wire 1.2-1.6 | 324P2545_4* |
| 101 | Collet for liners dia. 4.5 mm | 330P025045 |
| 110 | Teflon liner red (x.50 m) for wire 1.0-1.2 | 326P2040_5* |
| 110 | Teflon liner yellow (x.50 m) for wire 1.2-1.6 | 326P2747_5* |
| 111 | Collet for teflon and PA liner 4.0 mm | 331P020040 |
| 111 | Collet for teflon and PA liner 4.7 mm | 331P027047 |
| 112 | O-ring 3.50x1.50 mm (teflon liner) | 365P150035 |
| 113 | Support tube 5x4.4 mm, L=150 mm | 329P544150 |
| 120 | PA-Alu wire guide (x.50 m) for wire 1.0-1.2 | 328P2040_A* |

▶ = Standard equipment

* At the blank, please insert suitable information for torch length or wire diameter, e.g. 08 for 0.8 mm or 3 for 3 mm.

© 2008 TBI Industries GmbH. All rights reserved. Subject to change without notice. Warranty only when using original TBI consumables and spare parts. Excerpts and reprints not permitted. Nr. DOKP113532, 01/2008.

TBI Industries GmbH
Ruhberg 14
D-35463 Fernwald-Steinbach
P.O. Box 67
D-35461 Fernwald-Steinbach

Tel. + 49 6404 9171-0
Fax. + 49 6404 9171-40
Internet: www.tbi-industries.com
E-mail: info@tbi-industries.com