



## **RoboMIG** TBi RM 50G

### Technical data

#### Robot welding torch TBi RM 50G

Rating at 60% duty cycle  
(10 min. cycle)

- Mixed gas: 8.8 kW (approx. 250 - 280 A)

Cooling method air cooling

Recommended cooling procedure blow out the torch with air for 10 seconds after welding

Wire diameter 0.8 - 1.2 mm

Gas consumption from 8 l/min

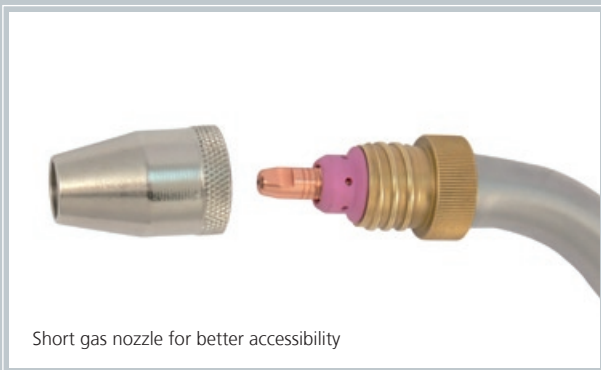
Gas flow 1 channel for protective and blow-out gas

Weight approx. 0.70 kg

Technical specification according to IEC 60974-7

Connection TBi WH flange compatible to our WH cable assemblies, PowerPull wire feeders and quick-change adaptor.

Torch rating will be reduced when using pulse-arc power sources.



Short gas nozzle for better accessibility

### Ordering information

**TBi RM 50G,  
Torch neck with nozzle holder**

**for direct clamping  
45°**

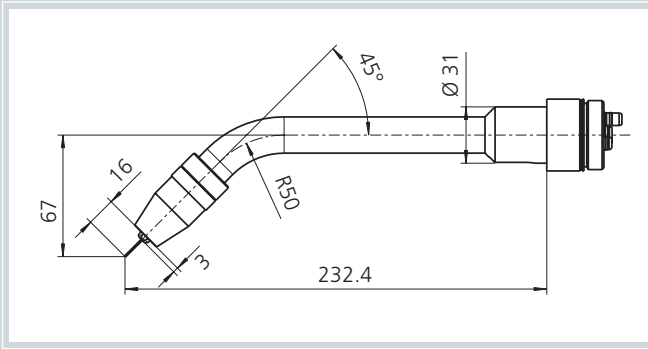
**for quick-change adaptor  
45°**

Please order consumables separately as needed.

661P101042

661P101041

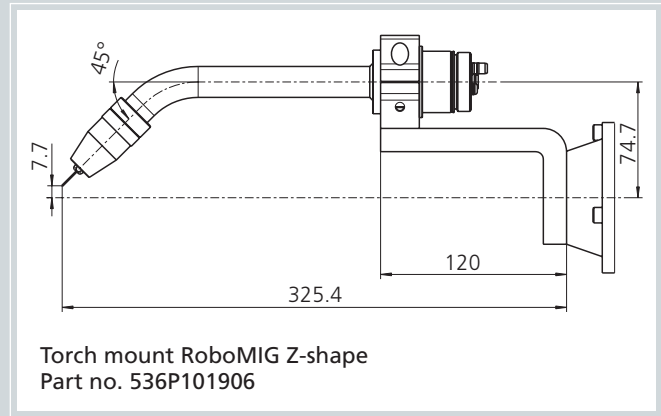
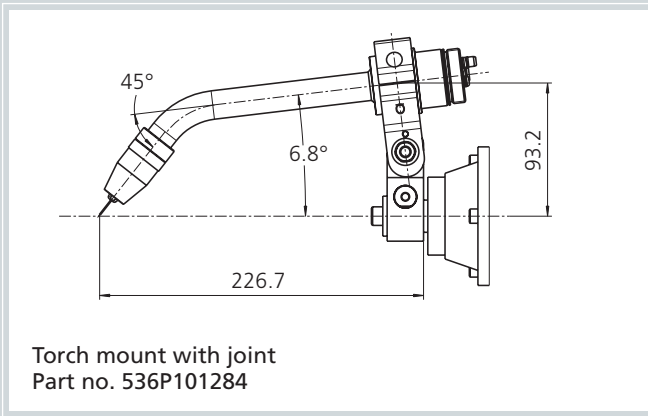
## Dimensions



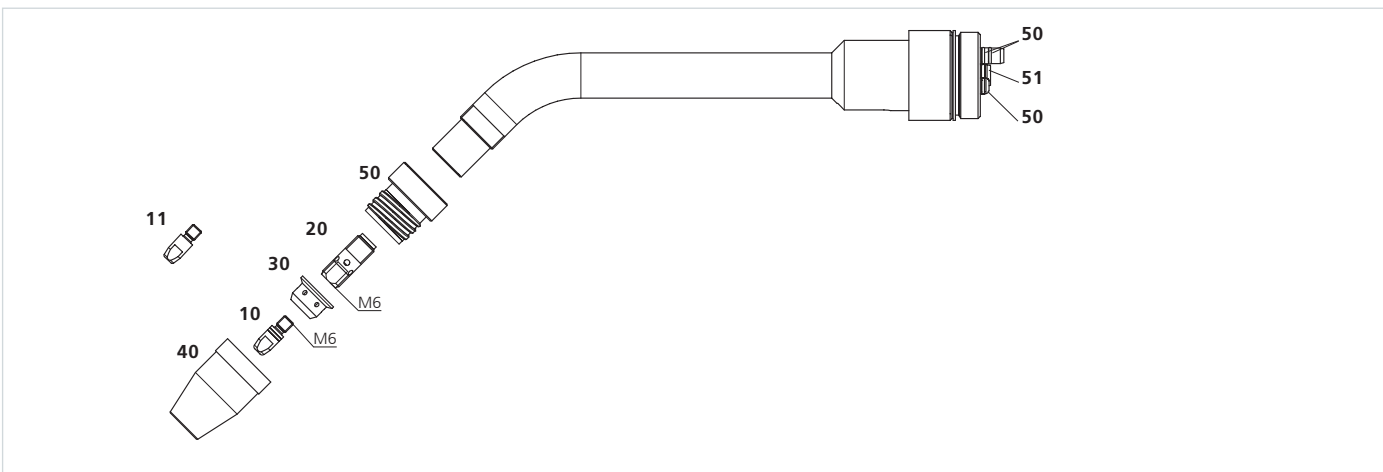
The TBI RoboMIG welding torch RM 50G has a very rugged design with a stainless steel outer tube. Therefore, the factory-set TCP will neither be changed by thermal stresses during welding nor collisions.

The compact and short torch head of the TBI RoboMIG RM 50G / 50W welding torches offers an exceptionally good accessibility. The changeable nozzle holder allows the end user to easily recondition the torch even after a long time of use.

When ordering, please make sure to choose the correct type for either direct clamping or for the quick-change adaptor. The torches are adjusted differently and must be used only for the corresponding mounting option.



## Spare parts and consumables



Pos.	Description	Part no.
<b>Contact tips</b>		
▶ 10	Contact tip M6x22, StarTip	344P_6092*
11	Contact tip M6x22, ECu	340P_1092*
<b>Tip holder</b>		
▶ 20	Tip holder M6	671P102079
<b>Nozzle insulator</b>		
▶ 30	Nozzle insulator ceramic	875P102010

Pos.	Description	Part no.
<b>Gas nozzle</b>		
▶ 40	Gas nozzle con. NW 14.0 mm	345P155875
<b>Spare parts</b>		
50	Nozzle holder	671P102067
51	O-ring 5.0x1.2 mm	365P120050
52	O-ring 7.0x1.5 mm	365P150070

▶ = Standard equipment

\* At the blank, please insert suitable information for wire diameter, e.g. 08 for 0.8 mm.

© 2008 TBI Industries GmbH. All rights reserved. Subject to change without notice. Warranty only when using original TBI consumables and spare parts. Excerpts and reprints not permitted. Nr. DOKP141012, 09/2008.