



RoboMIG TBi RM 60G

Technical data

Robot welding torch TBi RM 60G

Rating at 60% duty cycle
(10 min. cycle)

- Mixed gas: 10.5 kW (approx. 300 - 320 A)

Cooling method air cooling

Recommended cooling procedure blow out the torch with air for 10 seconds after welding

Wire diameter 0.8 - 1.6 mm

Gas consumption from 8 l/min

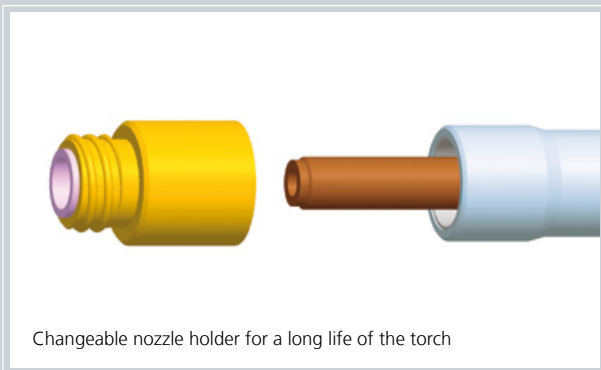
Gas flow 1 channel for protective and blow-out gas

Weight approx. 0.87 kg

Technical specification according to IEC 60974-7

Connection TBi WH flange compatible to our WH cable assemblies, PowerPull wire feeders and quick-change adapter.

Torch rating will be reduced when using puls-arc power sources.



Changeable nozzle holder for a long life of the torch

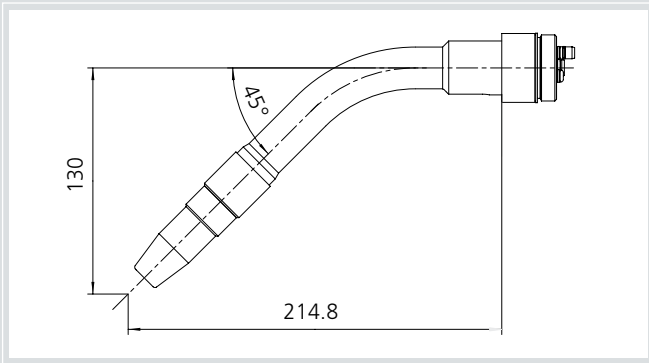
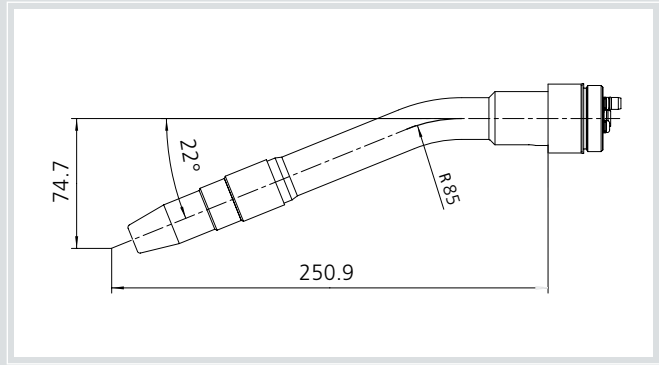
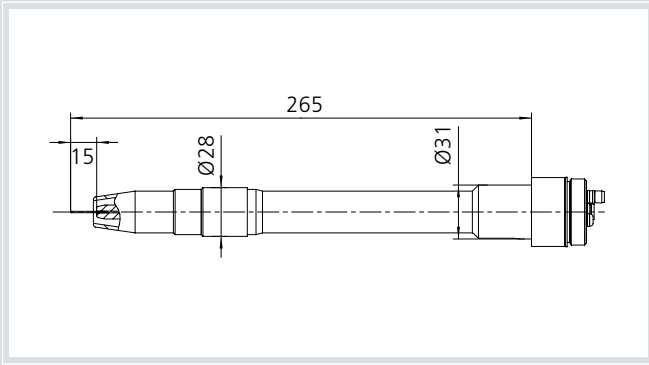
Ordering information

**TBi RM 60G,
Torch neck with nozzle holder**

Please order consumables separately as needed.

universal 0°	for direct clamping		for quick-change adapter	
	22°	45°	22°	45°
661P101381	661P101384	661P101385	661P101382	661P101383

Dimensions

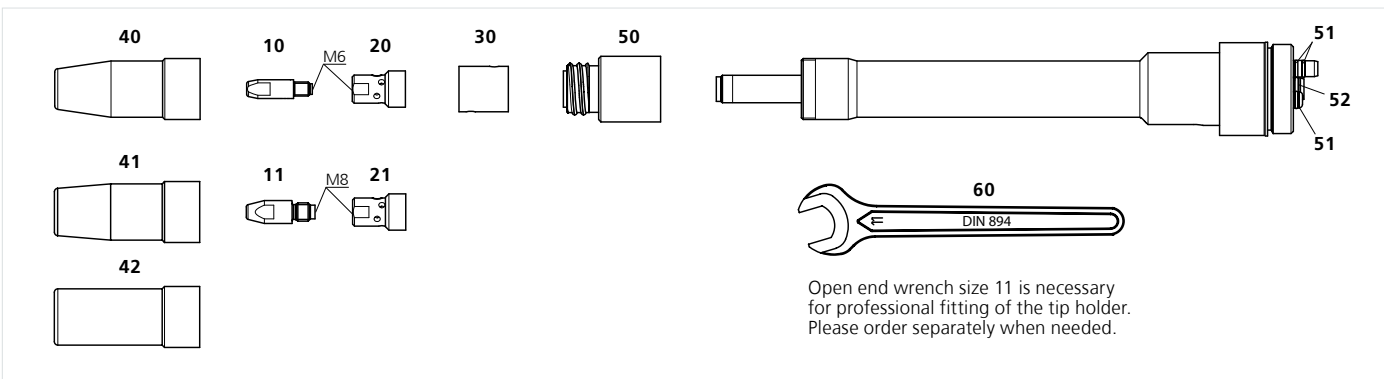


The TBI RoboMIG welding torch RM 60G has a very rugged design with a stainless steel outer tube. Therefore, the factory-set TCP will neither be changed by thermal stresses during welding nor collisions.

The changeable nozzle holder allows the end user to easily recondition the torch after a long time of use.

When ordering, please make sure to choose the correct type for either direct clamping or for the quick-change adaptor. The torches are adjusted differently and must be used only for the corresponding mounting option.

Spare parts and consumables



Pos.	Description	Part no.
Contact tips		
10	Contact tip M6x28, ECU	340P__1069*
▶ 10	Contact tip StarTip M6x28	344P__6069*
11	Contact tip M8x30, ECU	340P__1262*
11	Contact tip StarTip M8x30	344P__6262*
Tip holders		
▶ 20	Tip holder M6, forced contact	661P102025
21	Tip holder M8, forced contact	661P102024
Nozzle insulator		
▶ 30	Nozzle insulator ceramic	346P014661

Pos.	Description	Part no.
Gas nozzles		
▶ 40	Nozzle con. NW 13.0 mm, for M6	345P123671
41	Nozzle con. NW 16.0 mm, for M8 (M6)	345P122671
42	Nozzle cyl. NW 19.8 mm	345P121671
Spare parts		
50	Nozzle holder RM 60G	661P101009
51	O-ring 5.0x1.2 mm	365P120050
52	O-ring 7.0x1.5 mm	365P150070
Accessories		
60	Open end wrench, size 11 mm	391P102021

▶ = Standard equipment

* At the blank, please insert suitable information for wire diameter, e.g. 08 for 0.8 mm.

© 2008 TBI Industries GmbH. All rights reserved. Subject to change without notice. Excerpts and reprints not permitted. Nr. DOKP141032, 02/2008.