



RoboMIG **TBi RM 60W**

Technical data

Robot welding torch **TBi RM 60W**

Rating at 100% duty cycle
(10 min. cycle)

- Mixed gas: 13.0 kW (approx. 350 - 370 A)

Cooling method 2-circuit water cooling

Wire diameter 0.8 - 1.6 mm

Gas consumption from 8 l/min

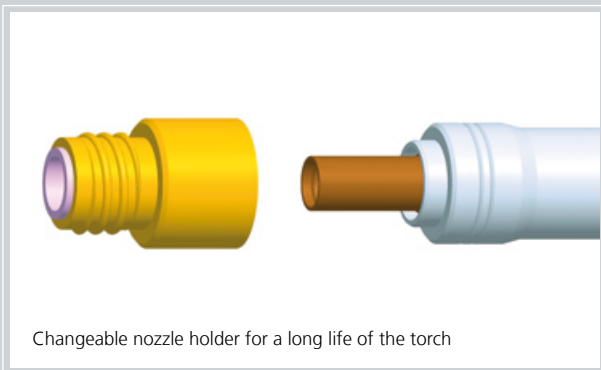
Gas flow 1 channel for protective and
blow-out gas

Weight approx. 0.73 kg

Technical specification according to IEC 60974-7

Connection **TBi WH** flange compatible to our
WH cable assemblies, **PowerPull**
wire feeders and quick-change
adapter.

Torch rating will be reduced when using puls-arc power sources.



Changeable nozzle holder for a long life of the torch

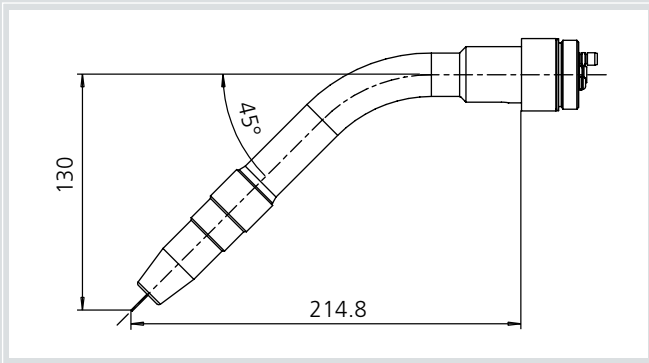
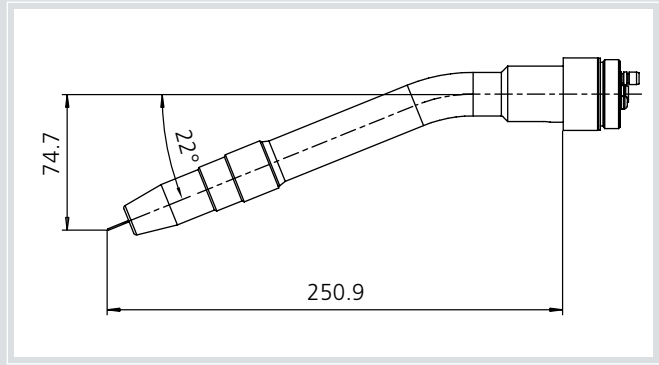
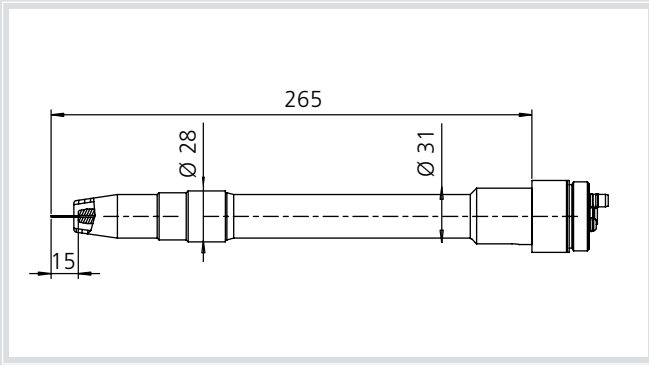
Ordering information

TBi RM 60W,
Torch neck with nozzle holder

Please order consumables separately as needed.

	universal 0°	for direct clamping		for quick-change adapter	
		22°	45°	22°	45°
	671P101381	671P101384	671P101385	671P101382	671P101383

Dimensions

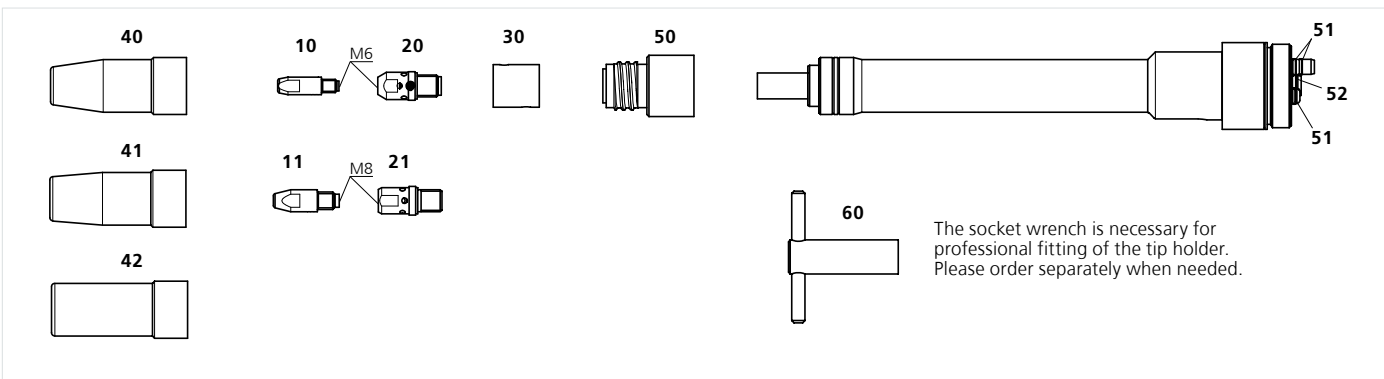


The TBI RoboMIG welding torch RM 60W has a very rugged design with a stainless steel outer tube. Therefore, the factory-set TCP will neither be changed by thermal stresses during welding nor collisions.

The changeable nozzle holder allows the end user to easily recondition the torch after a long time of use.

When ordering, please make sure to choose the correct type for either direct clamping or for the quick-change adaptor. The torches are adjusted differently and must be used only for the corresponding mounting option.

Spare parts and consumables



The socket wrench is necessary for professional fitting of the tip holder. Please order separately when needed.

Pos. Description Part no.

Contact tips

10	Contact tip M6x28, ECu	340P__1069*
▶ 10	Contact tip StarTip M6x28	344P__6069*
11	Contact tip M8x30, ECu	340P__1262*
11	Contact tip StarTip M8x30	344P__6262*

Tip holders

▶ 20	Tip holder M6, forced contact	671P102056
21	Tip holder M8, forced contact	671P102062

Nozzle insulator

▶ 30	Nozzle insulator ceramic	346P014661
------	--------------------------	------------

▶ = Standard equipment

* At the blank, please insert suitable information for wire diameter, e.g. 08 for 0.8 mm.

Pos. Description Part no.

Gas nozzles

▶ 40	Nozzle con. NW 13.0 mm, for M6	345P123671
41	Nozzle con. NW 16.0 mm, for M8 (M6)	345P122671
42	Nozzle cyl. NW 19.8 mm	345P121671

Spare parts

50	Nozzle holder RM 60W	671P101040
51	O-ring 5.0x1.2 mm	365P120050
52	O-ring 7.0x1.5 mm	365P150070

Accessories

60	Socket wrench	391P101006
----	---------------	------------