



RoboMIG **TBi RM 70G**

Technical data

Robot welding torch **TBi RM 70G**

Rating at 80% duty cycle
(10 min. cycle)

- Mixed gas: 15.0 kW (approx. 350 - 400 A)

Cooling method air cooling

Recommended cooling procedure blow out the torch with air for 10 seconds after welding

Wire diameter 0.8 - 1.6 mm

Gas consumption from 6 l/min

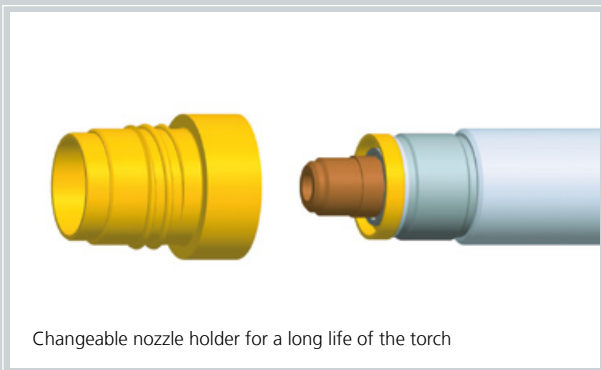
Gas flow 2 channels for protective and blow-out gas

Weight approx. 0.94 kg

Technical specification according to IEC 60974-7

Connection **TBi WH** flange compatible to our **WH** cable assemblies, **PowerPull** wire feeders and quick-change adapter.

Torch rating will be reduced when using puls-arc power sources.



Changeable nozzle holder for a long life of the torch

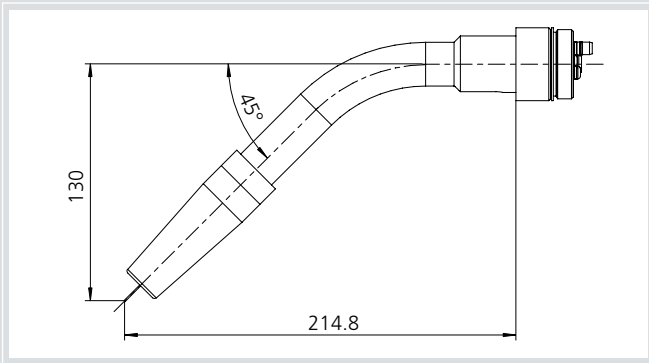
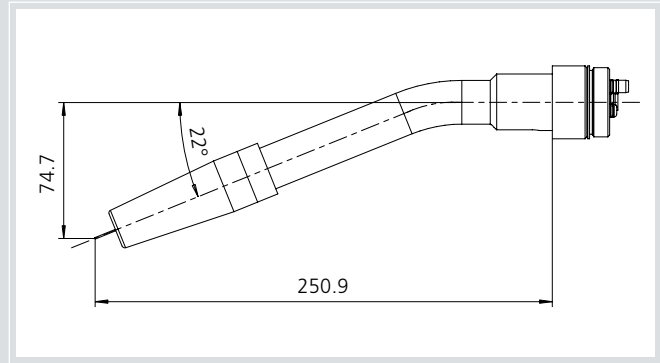
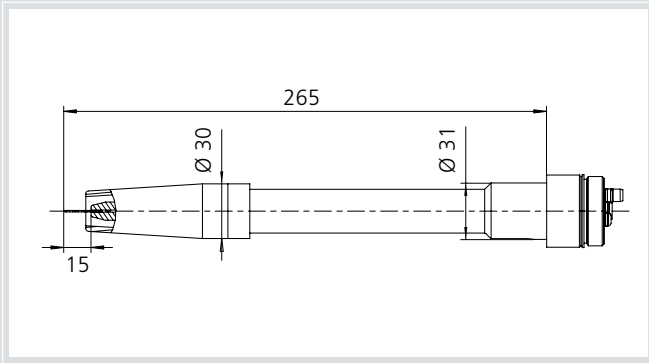
Ordering information

**TBi RM 70G,
Torch neck with nozzle holder**

Please order consumables separately as needed.

universal 0°	for direct clamping		for quick-change adapter	
	22°	45°	22°	45°
661P101005	661P101006	661P101007	661P101026	661P101027

Dimensions

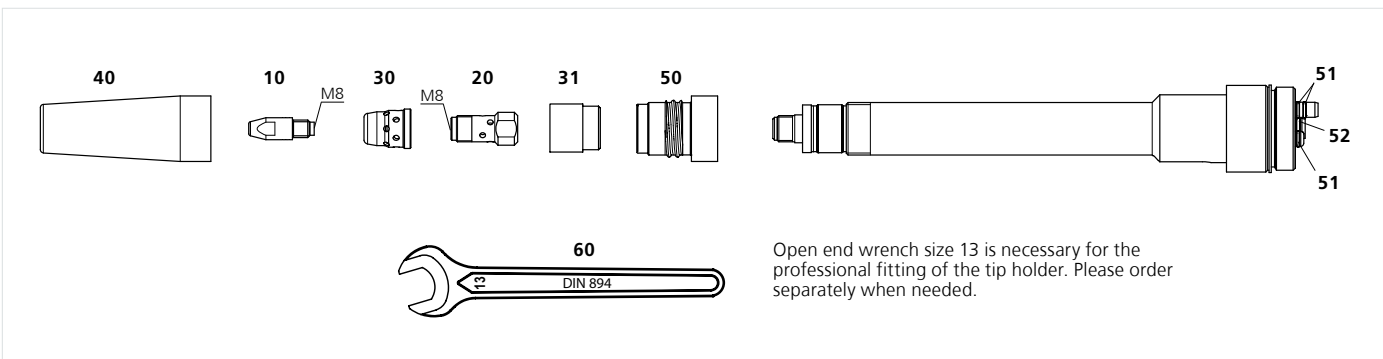


The TBI RoboMIG welding torch RM 70G has a very rugged design with a stainless steel outer tube. Therefore, the factory-set TCP will neither be changed by thermal stresses during welding nor collisions.

The changeable nozzle holder allows the end user to easily recondition the torch after a long time of use.

When ordering, please make sure to choose the correct type for either direct clamping or for the quick-change adaptor. The torches are adjusted differently and must be used only for the corresponding mounting option.

Spare parts and consumables



Open end wrench size 13 is necessary for the professional fitting of the tip holder. Please order separately when needed.

Pos.	Description	Part no.
Contact tips		
10	Contact tip M8x30, ECU	340P_1262*
▶ 10	Contact tip StarTip M8x30	344P_6262*
Tip holder		
▶ 20	Tip holder M8, forced contact	661P102014
Gas diffuser / nozzle insulator		
▶ 30	Gas diffuser, ceramic, for M8	671P102038
▶ 31	Nozzle insulator, ceramic	346P013661

Pos.	Description	Part no.
Gas Nozzle		
▶ 40	Nozzle con. NW 16.0 mm	345P023661
Spare parts		
50	Nozzle holder RM 70G	661P102013
51	O-ring 5.0x1.2 mm	365P120050
52	O-ring 7.0x1.5 mm	365P150070
Accessories		
60	Open end wrench, size 13 mm	391P102026

▶ = Standard equipment

* At the blank, please insert suitable information for the wire diameter, e.g. 08 for 0.8 mm.

© 2008 TBI Industries GmbH. All rights reserved. Subject to change without notice. Excerpts and reprints not permitted. Nr. DOKP141052, 02/2008.