



RoboMIG TBi RM 80W

Technical data

Robot welding torch TBi RM 80W

Rating at 100% duty cycle
(10 min. cycle)

- Mixed gas: 17.5 kW (approx. 370 - 500 A)

Cooling method 2-circuit water cooling

Wire diameter 0.8 - 1.6 mm

Gas consumption from 6 l/min

Gas flow 2 channels for protective and blow-out gas

Weight approx. 0.70 kg

Technical specification according to IEC 60974-7

Connection TBi WH flange compatible to our WH cable assemblies, PowerPull wire feeders and quick-change adapter.

Torch rating will be reduced when using puls-arc power sources.



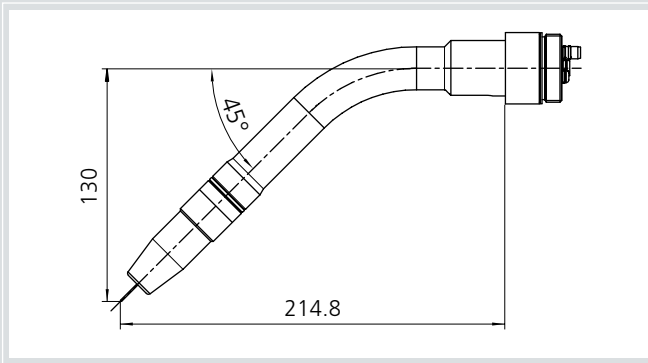
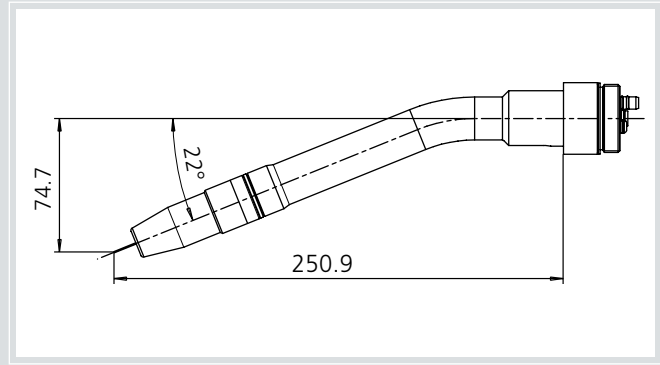
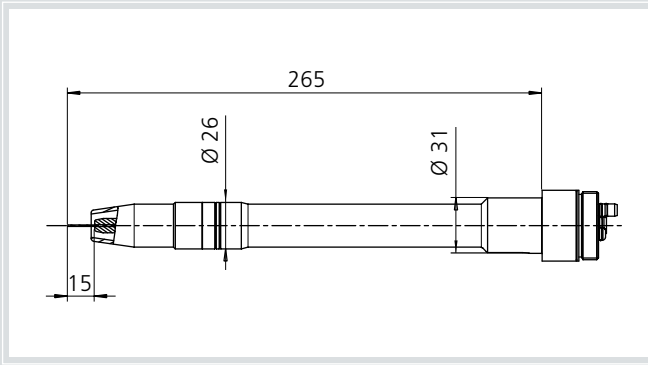
Ordering information

**TBi RM 80W,
Torch neck without consumables**

Please order consumables separately when needed.

universal 0°	for direct clamping		for quick-change adapter	
	22°	45°	22°	45°
671P101187	671P101188	671P101186	671P101189	671P101175

Dimensions

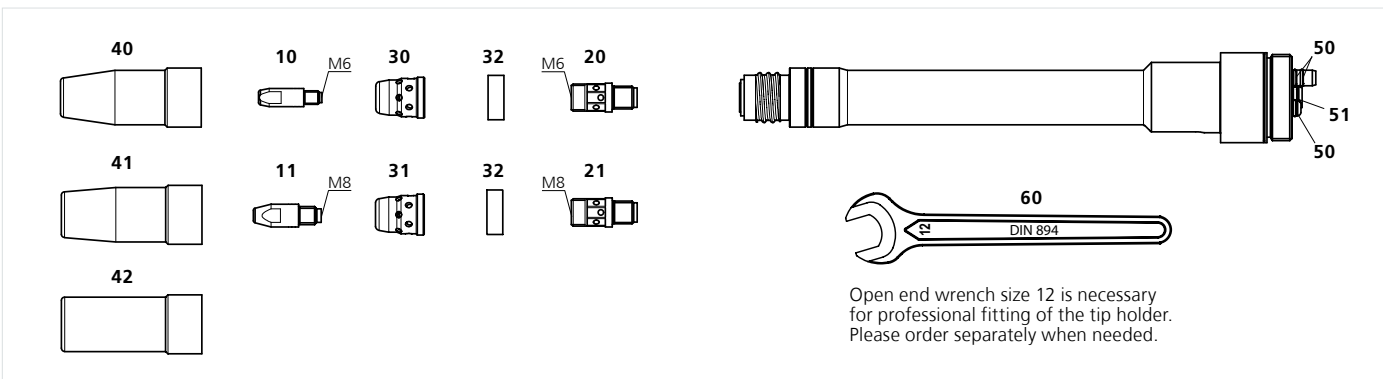


The TBI RoboMIG welding torch RM 80W has a very rugged design with a stainless steel outer tube. Therefore, the factory-set TCP will neither be changed by thermal stresses during welding nor collisions. This fact greatly simplifies maintenance of the welding cell.

The RM 80W has a fixed gas nozzle holder which guarantees a very efficient cooling of the gas nozzle.

When ordering, please make sure to choose the correct type for either direct clamping or for the quick-change adaptor. The torches are adjusted differently and must be used only for the corresponding mounting option.

Spare parts and consumables



Open end wrench size 12 is necessary for professional fitting of the tip holder. Please order separately when needed.

Pos.	Description	Part no.
Contact tips		
10	Contact tip M6x28, ECu	340P__1069*
10	Contact tip StarTip M6x28	344P__6069*
11	Contact tip M8x30, ECu	340P__1262*
▶ 11	Contact tip StarTip M8x30	344P__6262*
Tip holders		
20	Tip holder M6, forced contact	671P102064
▶ 21	Tip holder M8, forced contact	671P102065

Pos.	Description	Part no.
Gas diffusers / Nozzle insulator		
30	Gas diffusor, ceramic, for M6	671P102003
▶ 31	Gas diffusor, ceramic, for M8	671P102038
▶ 32	Nozzle insulator, PTFE	346P012671
Gas nozzles		
40	Nozzle con. NW 13.0 mm, for M6	345P123671
▶ 41	Nozzle con. NW 16.0 mm, for M8 (M6)	345P122671
42	Nozzle cyl. NW 19.8 mm	345P121671
Spare parts		
50	O-ring 5.0x1.2 mm	365P120050
51	O-ring 7.0x1.5 mm	365P150070

Accessories

60	Open end wrench for tip holder, size 12 mm	391P102025
----	--	------------

▶ = Standard equipment

* At the blank, please insert suitable information for wire diameter, e.g. 08 for 0.8 mm.

© 2008 TBI Industries GmbH. Alle rights reserved. Subject to change without notice. Excerpts and reprints not permitted. Nr. DOKP141062, 02/2008.