

TBi TD 20 / TD 22 MIG/MAG Tandem welding torch

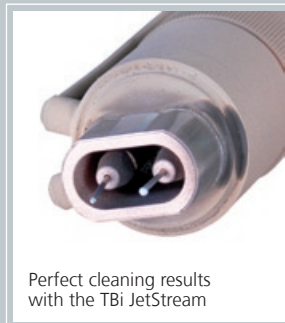
Efficient 3-circuit water cooling system

Attractively priced consumables

High TCP precision



TBi TD 22 after welding



Perfect cleaning results
with the TBi JetStream

Technical data

Tandem welding torch TBi TD 20 / TD 22

Rating at 100% duty cycle
(10 min. cycle)

- Mixed gas: 2 x 550 A

Cooling method 3-circuit water cooling

Wire diameter 1.0 – 3.2 mm

Distance between wire
electrodes 10 mm with a stick-out of 20 mm
(standard). Other distances are
possible on request.

Gas flow max. 30 l/min

Blow-out function max. 10 bar, protective gas channel
separated by check valve

Weight (without cables) approx. 2.8 kg

Technical specification according to IEC 60974-7

Options
- wire run-in button on the torch
- Push-pull system

Torch rating will be reduced when using pulsed-arc power sources. For heavy-duty use of the torch, it is highly recommended to use 3 separate water coolers, or a refrigerator unit.

Ordering Information

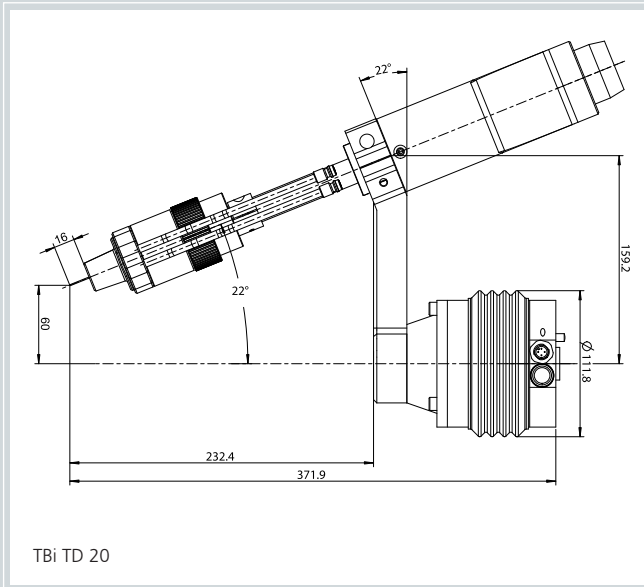
TBi TD 20 Euro, 0° 042P0805__*

TBi TD 22 Euro, 22° bent 042P2805__*

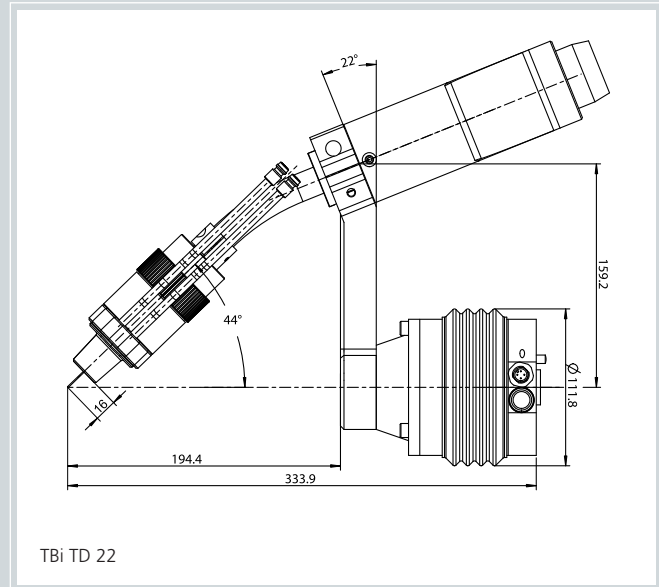
* At the blank, please insert the required cable length in decimeters, e.g. 12 for 1.2 m length.



Torch mounts



TBi TD 20

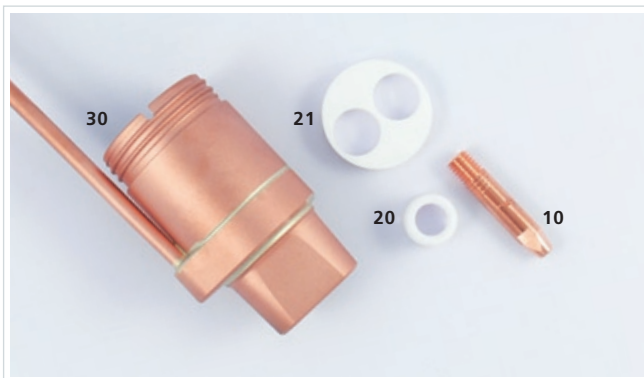


TBi TD 22

Torch mount 22° bent for TBi TD 20 and TBi TD 22, incl. screws

Part No.: 536P101700

Consumables



Pos. Description Part. No.

Consumables and spare parts

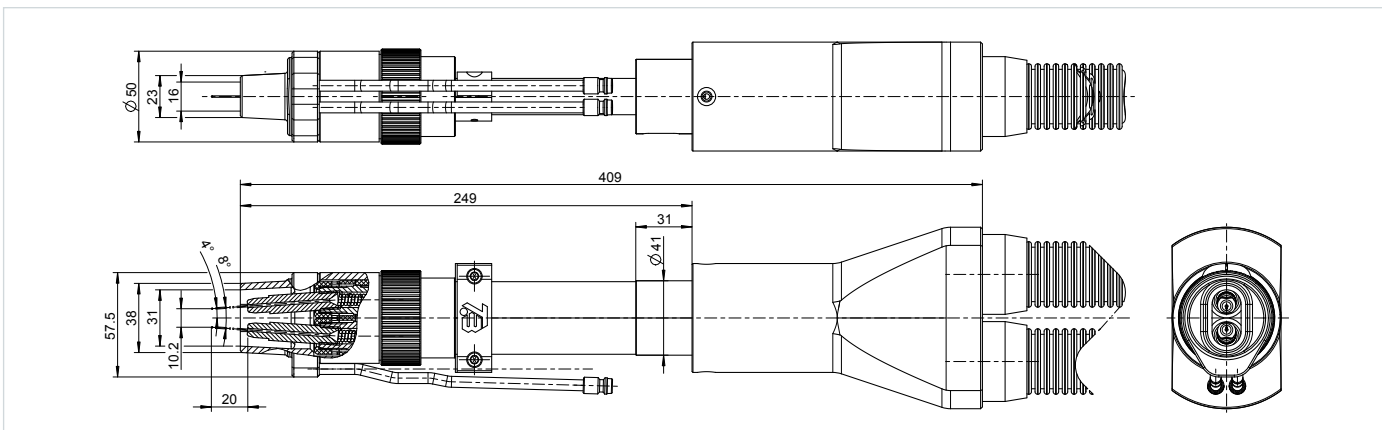
10	Contact tip M10x50, CuCrZr	343P_3407*
20	Gas diffuser, ceramic	042P102081
21	Insulator, ceramic	346P014242
30	Gas nozzle, water cooled, oval	042P101025
-	Gas nozzle, water cooled, round	042P101023

Wire guides

-	Liner w/o insulation (x.40 m) for wire 1.6-2.0	322P2863_4*
-	Liner w/o insulation (x.40 m) for wire 2.0-2.4	322P3570_4*
-	Liner w/o insulation (x.40 m) for wire 2.8-3.2	322P4570_4*

* At the blank, please insert suitable information for wire diameter or wire guide length, e.g. 08 for 0.8 mm or 3 for 3 m.

Dimensions



© 2009 TBi Industries GmbH. All rights reserved. Subject to change without notice. Warranty only when using original TBi consumables and spare parts. Excerpts and reprints not permitted. DOKP142012, 08/2009.

TBi Industries GmbH
Ruhberg 14
D-35463 Fernwald-Steinbach
Postfach 67
D-35461 Fernwald-Steinbach

Tel. + 49 6404 9171-0
Fax. + 49 6404 9171-40
Internet: www.tbi-industries.com
E-mail: info@tbi-industries.com