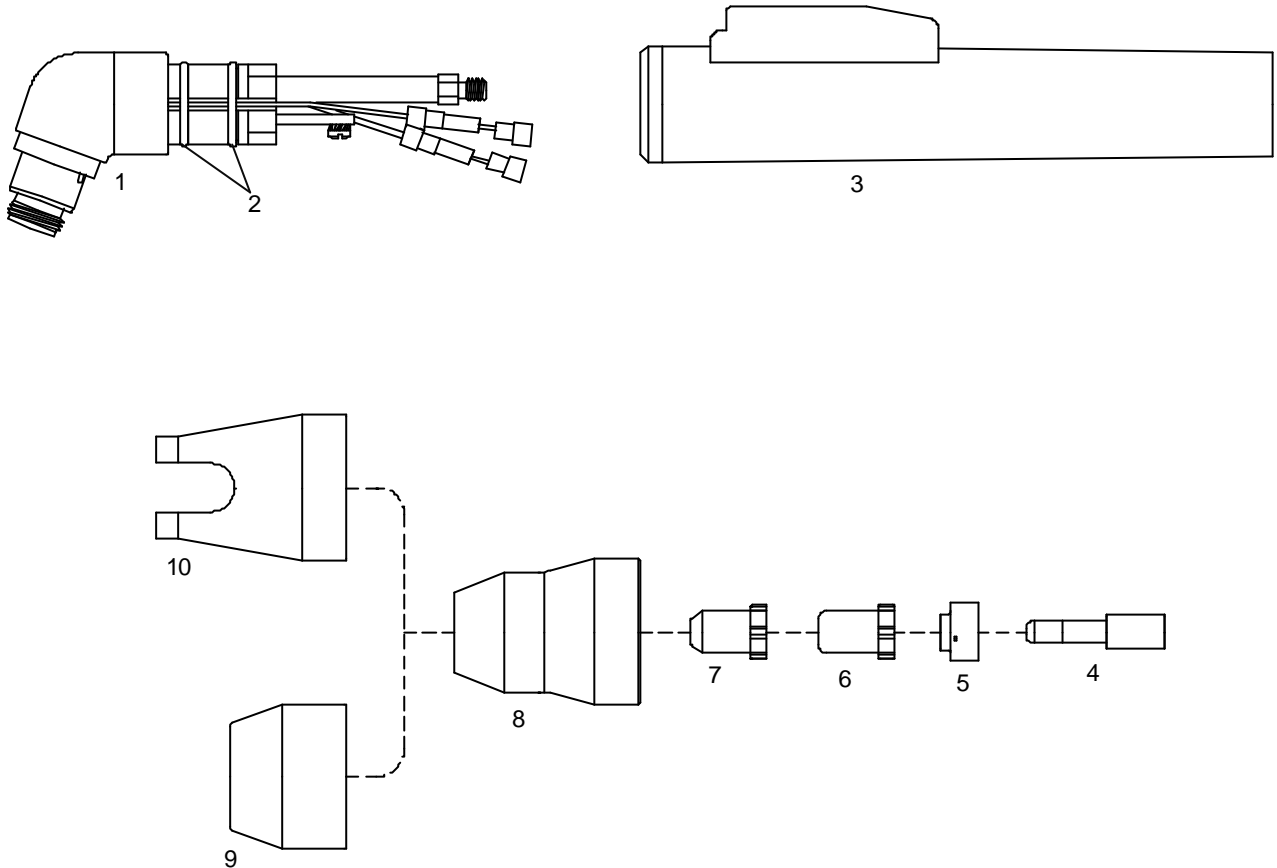




PCH/M-28 Pak Master 50XL



Pos.	Part no.	Ref. no.	Description	PU
N/S	441P884C18	2-5801	Hand torch PCH/M 28 complete with 25' (7.5 mts) cable	1
N/S	441P884C1E	2-5802	Hand torch PCH/M 28complete with 50' (15 mts) cable	1
1	441P884680	9-5807	70° Hand torch head PCH/M 28	1
2	365P884001	8-0533	O-Ring	20
3	380P200398	9-6291E	Handgrip complete with microswitch	1
4	441P884669	9-6506	Electrode - Hf (long life)	10
5	441P884676	9-6507	Gas Distributor (long life)	10
6	441P884677	9-6500	Tip - Standoff (long life)	10
7	441P884678	9-6501	Tip - Drag (long life)	10
8	441P884666	9-6003	Shield Cup - Std	10
9	441P884679	9-6503	Shield Cup - Maximum Life (requires 441P884666)	10
10	441P884667	9-6004	Shield Cup - Crown (requires 441P884666)	10
N/S	316P429954	4-2995	Air and power cable 25' (7.5 mts) - Hand torch	1
N/S	316P429968	4-2996	Air and power cable 50' (15 mts) - Hand torch	1

CIRCLE CUTTING ATTACHMENT: See page no. 17