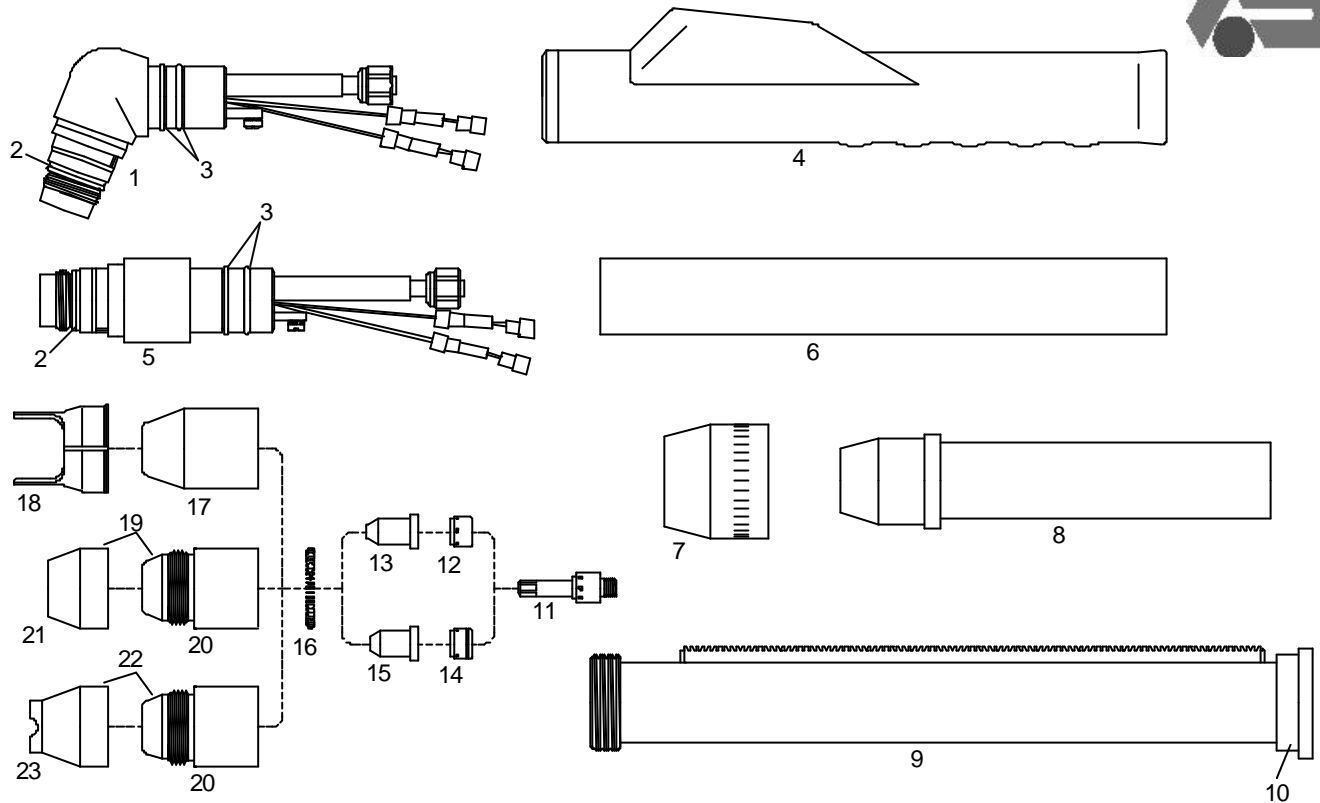




## PCH/M-75 Pak Master 75, Pak Master 75XL, 625XR, Cut Master 80XL



Pos.	Part no.	Ref. no.	Description	PU
N/S	441P884H48	2-7801	Hand torch PCH/M 75 cpl. with 25' ( 7.5 mts ) cable	1
N/S	441P884H4E	2-7802	Hand torch PCH/M 75 cpl. with 50' ( 15 mts ) cable	1
N/S	441P884M48	2-7805	Machine torch PCH/M 75 cpl. with 25' ( 7.5 mts ) cable,(handle item 6)	1
N/S	441P884M4E	2-7806	Machine torch PCH/M 75 cpl. with 50' ( 15 mts ) cable,(handle item 6)	1
1	441P884592	8-7510	70° Hand torch head PCH/M 75	1
2	365P0EA125	8-0532	O-Ring ( shield cup )	20
3	365P884001	8-0533	O-Ring ( handle )	20
4	441P884599	9-5636E	Handgrip complete with microswitch ( incl. 9-5636, 9-7502, 8-1322 )	1
5	441P884507	8-7512	180° Machine torch head PCH/M 75	1
6	441P884507	9-5637E	Machine handle	1
7	441P884536	8-4018	Nut	1
8	441P884537	9-5637	Adaptor	1
9	441P884538	8-5005	Positioning tube	1
10	441P884539	8-4204	End Cap	1
11	441P884578	8-7502	Electrode, long life	10
12	441P884594	8-7501	Gas distributor, cutting	10
13	441P884595	8-7503	Tip, cutting 35A - ø 0,99 - .039	10
	441P884596	8-7504	Tip, cutting 55A - ø 1,17 - .046	10
14	441P884597	8-7508	Gas distributor, gouging	10
15	441P884598	8-7506	Tip, Gouging - ø 1,86 - .073	10
16	441P884570	9-7501E	Coil spring	10
17	441P884571	8-7500	Shield cup	10
18	441P884572	8-7575	Double pointed spacer	10
19	441P884573	8-7496	Shield cup maximum life, complete	10
20	441P884574	8-7498	Shield cup body	10
21	441P884575	8-7497	Heat shield ( copper )	10
22	441P884576	8-7507	Crown shield cup assembly	10
23	441P884577	8-7499	Crown cup shield ( copper )	10
N/S	316P478018	4-7801	Air and power cable 25' ( 7.5 mts ) - Hand torch	1
N/S	316P47802E	4-7802	Air and power cable 50' ( 15 mts ) - Hand torch	1
N/S	316P478038	4-7803	Air and power cable 25' ( 7.5 mts ) - Machine torch	1
N/S	316P47804E	4-7804	Air and power cable 50' ( 15 mts ) - Machine torch	1

CIRCLE CUTTING ATTACHMENT: See page no. 17