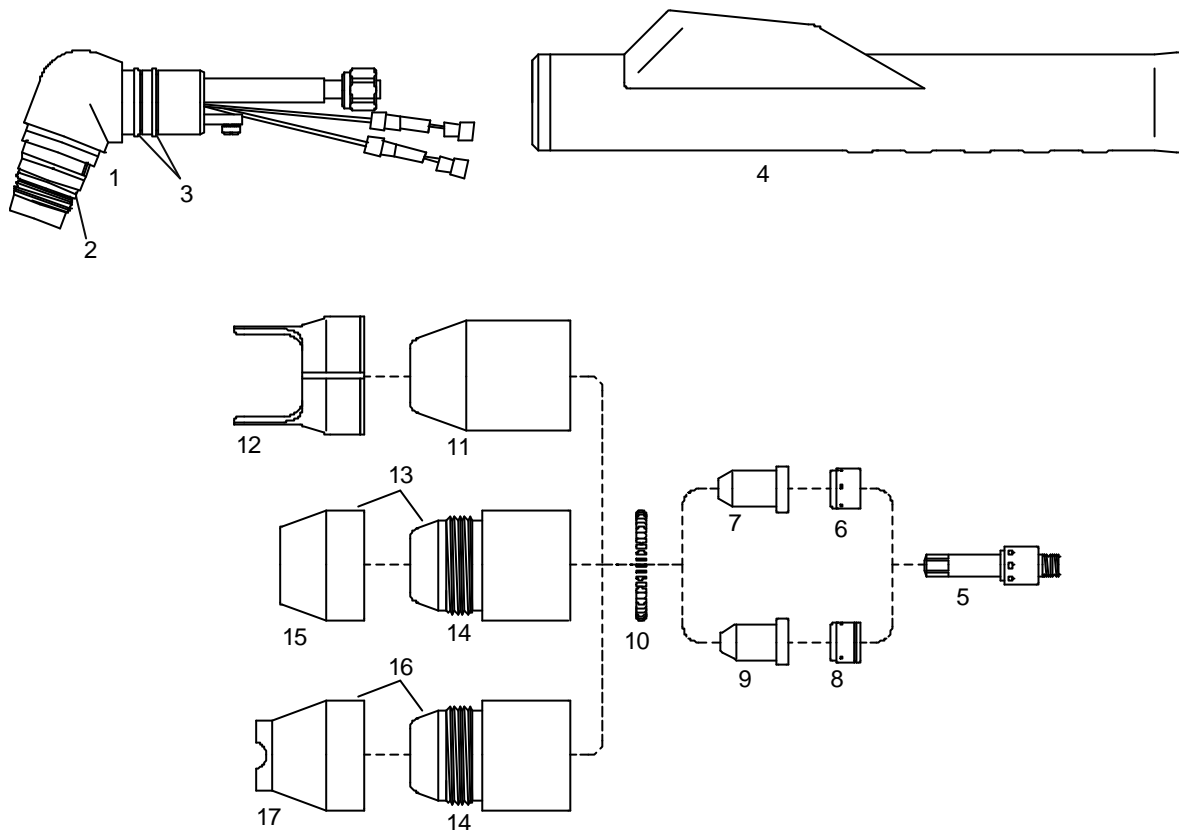




PCH/M-76 Econopak 100



Pos.	Part no.	Ref. no.	Description	PU
N/S	441P884H58	2-7811	Hand torch PCH/M 76 complete with 25' (7.5 mts) cable	1
N/S	441P884H5E	2-7812	Hand torch PCH/M 76 complete with 50' (15 mts) cable	1
1	441P884592	8-7510	70° Torch Head	1
2	365P0EA125	8-0532	O-Ring (Shield Cup), (20 pcs.)	20
3	365P884001	8-0533	O-Ring (Handle), (20 pcs.)	20
4	441P884508	9-5636E	Handgrip complete with microswitch (incl. 9-5636, 9-7502, 8-1322)	1
5	441P884578	8-7502	Electrode, long life	10
6	441P884594	8-7501	Gas distributor, cutting	10
7	441P884595	8-7503	Tip, cutting 35A - \varnothing 0,99 - .039	10
	441P884579	8-7505	Tip, cutting 60A - \varnothing 1,32 - .052	10
8	441P884597	8-7508	Gas distributor, gouging	10
9	441P884598	8-7506	Tip, Gouging - \varnothing 1,86 - .073	10
10	441P884570	9-7501E	Coil spring (10 pcs.)	10
11	441P884571	8-7500	Shield cup	10
12	441P884572	8-7575	Double pointed spacer	10
13	441P884573	8-7496	Shield cup maximum life, complete	10
14	441P884574	8-7498	Shield cup body	10
15	441P884575	8-7497	Heat shield (copper)	10
16	441P884576	8-7507	Crown shield cup assembly	10
17	441P884577	8-7499	Crown cup shield (copper)	10
N/S	316P476118	4-7611	Air and power cable 25' (7.5 mts) - Hand torch	1
N/S	316P47612E	4-7612	Air and power cable 50' (15 mts) - Hand torch	1

CIRCLE CUTTING ATTACHMENT: See page no. 17