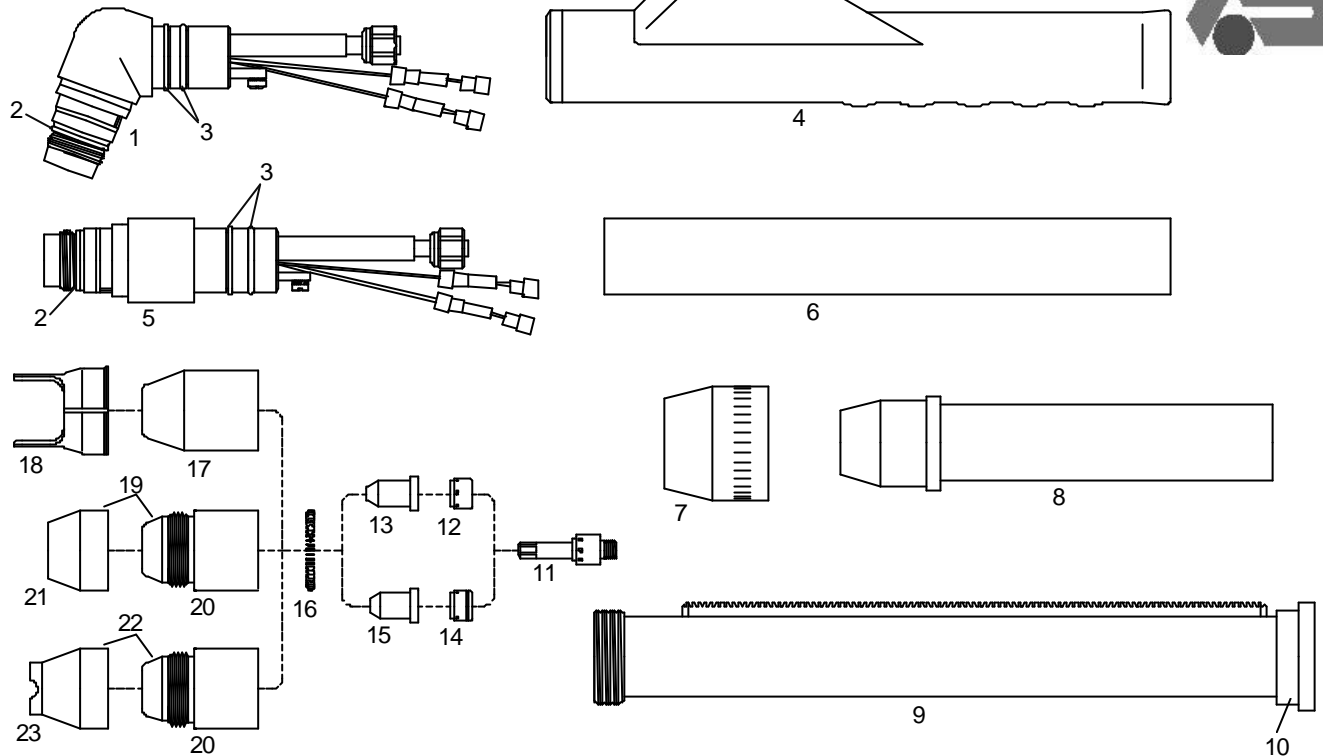




## PCH/M-100XL Pak Master 100XL



Pos.	Part no.	Ref. no.	Description	PU
N/S	441P884H48	2-0801	Hand torch PCH/M 100XL cpl. with 25' ( 7.5 mts ) cable	1
N/S	441P884H4E	2-0802	Hand torch PCH/M 100XL cpl. with 50' ( 15 mts ) cable	1
N/S	441P884M48	2-0805	Machine torch PCH/M 100XL cpl. with 25' ( 7.5 mts ) cable, (handle item 6) 1	1
N/S	441P884M4E	2-0806	Machine torch PCH/M 100XL cpl. with 50' ( 15 mts ) cable, (handle item 6) 1	1
1	441P884592	8-7510	70° Torch Head	1
2	365P0EA125	8-0532	O-Ring ( shieldCup )	20
3	365P884001	8-0533	O-Ring ( handle )	20
4	441P884508	9-5636E	Handgrip complete with microswitch ( incl. 9-5636, 9-7502, 8-1322 )	1
5	441P884599	8-7512	180° Torch Head	1
6	441P884507	9-5637E	Machine handle	1
7	441P884536	8-4018	Nut	1
8	441P884537	9-5637	Adaptor	1
9	441P884538	8-5005	Positioning tube	1
10	441P884539	8-4204	End Cap	1
11	441P884578	8-7502	Electrode, long life	10
12	441P884594	8-7501	Gas distributor, cutting	10
13	441P884595	8-7503	Tip, cutting 35A - ø 0,99 - .039	10
	441P884596	8-7504	Tip, cutting 55A - ø 1,17 - .046	10
	441P884579	8-7505	Tip, cutting 70A - ø 1,32 - .052	10
14	441P884597	8-7508	Gas distributor, gouging	10
15	441P884598	8-7506	Tip, Gouging - ø 1,86 - .073	10
16	441P884570	9-7501E	Coil spring	10
17	441P884571	8-7500	Shield cup	10
18	441P884572	8-7575	Double pointed spacer	10
19	441P884573	8-7496	Shield cup maximum life, complete	10
20	441P884574	8-7498	Shield cup body	10
21	441P884575	8-7497	Heat shield ( copper )	10
22	441P884576	8-7507	Crown shield cup assembly	10
23	441P884577	8-7499	Crown cup shield ( copper )	10
N/S	316P408108	4-0810	Air and power cable 25' ( 7.5 mts ) - Hand torch	1
N/S	316P40811E	4-0811	Air and power cable 50' ( 15 mts ) - Hand torch	1
N/S	316P408128	4-0812	Air and power cable 25' ( 7.5 mts ) - Machine torch	1
N/S	316P40813E	4-0813	Air and power cable 50' ( 15 mts ) - Machine torch	1

CIRCLE CUTTING ATTACHMENT: See page no. 17