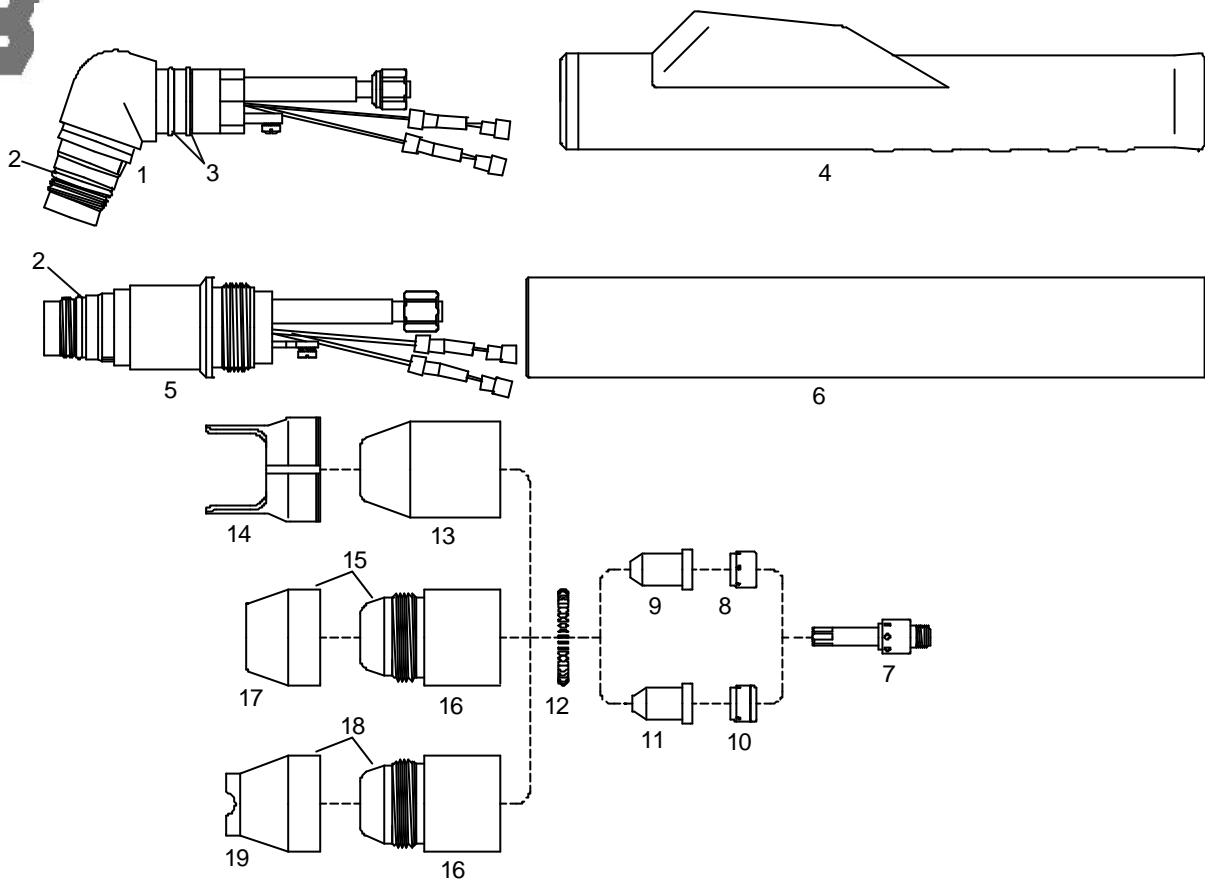




PCH/M-80 Pak Master 100XL Plus



Pos.	Part no.	Ref. no.	Description	PU
N/S	441P884038	2-0080	Hand torch PCH/M 80 cpl. with 25' (7.5 mts) cable	1
N/S	441P88403E	2-0081	Hand torch PCH/M 80 cpl. with 50' (15 mts) cable	1
N/S	441P884A48	2-0084	Machine torch complete with 25' (7.5 mts) cable	1
N/S	441P884A4E	2-0085	Machine torch complete with 50' (15 mts) cable	1
1	441P884700	9-8075	70° Hand torch head PCH/M 60/80	1
2	365P0EA125	8-0532	O-Ring (shield cup)	20
3	365P884001	8-0533	O-Ring (handle)	20
4	441P884508	9-8066	Handgrip complete with microswitch	1
5	441P884701	9-8073	180° Machine torch head PCH/M 80	1
6	441P884948	9-7833	Machine handle	1
7	441P884578	8-7502	Electrode, long life	10
8	441P884594	8-7501	Gas distributor, cutting	10
9	441P884595	8-7503	Tip, cutting 35A - \varnothing 0,99 - .039	10
	441P884596	8-7504	Tip, cutting 55A - \varnothing 1,17 - .046	10
	441P884556	9-7728	Tip, cutting 80A - \varnothing 1,39 - .055	10
10	441P884597	8-7508	Gas distributor, gouging	10
11	441P884598	8-7506	Tip, Gouging - \varnothing 1,86 - .073	10
12	441P884570	9-7501E	Coil spring	10
13	441P884571	8-7500	Shield cup	10
14	441P884572	8-7575	Double pointed spacer	10
15	441P884573	8-7496	Shield cup maximum life, complete	10
16	441P884574	8-7498	Shield cup body	10
17	441P884575	8-7497	Heat shield (copper)	10
18	441P884576	8-7507	Crown shield cup assembly	10
19	441P884577	8-7499	Crown cup shield (copper)	10
N/S	316P408238	4-0823	Air and power cable 25' (7.5 mts) - Hand torch	1
N/S	316P40824E	4-0824	Air and power cable 50' (15 mts) - Hand torch	1
N/S	316P400128	4-0012	Air and power cable 25' (7.5 mts) - Machine torch	1
N/S	316P40013E	4-0013	Air and power cable 50' (15 mts) - Machine torch	1

CIRCLE CUTTING ATTACHMENT: See page no. 17