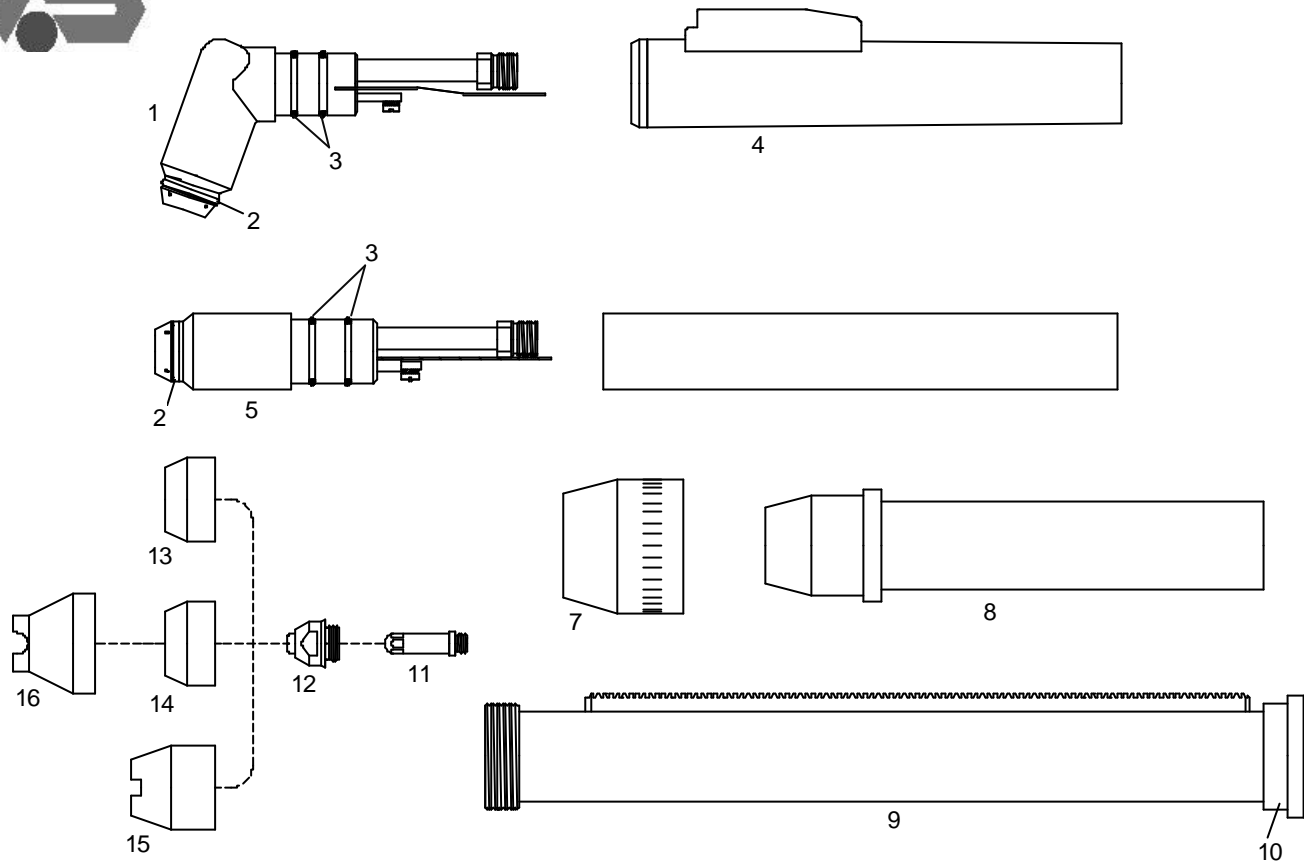



PCH/M-51 4Xi, 6Xi, Pak-3XR, Pak-6XR, Pak-7XR, Pak-5XT, Pak-625XR, Pak-750XR


Pos.	Part no.	Ref. no.	Description	PU
N/S	441P884T18	2-2860	Hand torch PCH/M 51 cpl. with 25' (7.5 mts) cable	1
N/S	441P884T1G	2-2861	Hand torch PCH/M 51 cpl. with 50' (15 mts) cable	1
N/S	441P884TM8	2-2864	Machine torch PCH/M 51 cpl. with 25' (7.5 mts) cable, (handle item 6)	1
N/S	441P884THG	2-2865	Machine torch PCH/M 51 cpl. with 50' (15 mts) cable, (handle item 6)	1
1	441P884515	9-5635	70° Hand torch head PCH/M 51	1
2	365P170178	8-5525	O-Ring (shield cup)	20
3	365P884001	8-0533	O-Ring (handle)	20
4	380P200398	9-5636E	Handgrip complete with microswitch (incl. 9-5636, 9-5522, 8-1322)	1
5	441P884516	9-5634	180° Machine torch head PCH/M 51	1
6	441Ü884507	9-5637E	Machine handle	1
7	441P884536	8-4018	Nut	1
8	441P884537	9-5637	Adaptor	1
9	441P884538	8-5005	Positioning tube	1
10	441P884539	8-4204	End cap	1
11	441P884510	9-5633	Electrode, long life	10
	441P884517	9-5720	Electrode, 4X1	10
12	441P884518	9-5718	Tip 10-40A - Ø 0,96 - .038	10
	441P884511	9-5631	Tip 10-60A - Ø 1,10 - .043	10
	441P884519	8-3321	Tip 65A - Ø 1,20 - .047	10
	441P884514	9-5724	Tip Gouging - Ø 2,00 - .078	10
13	441P884512	9-5630	Shield Cup Ceramic	10
14	441P884535	8-2159	Shield Cup-Phenolic-Std.	10
15	441P884513	8-5526	Shield Cup-Crown-Ceramic	10
13	441P884509	9-5779	Shield Cup-Crown (fits over 441P884535)	10
N/S	316P450308	4-5030	Air and power cable 25' (7.5 mts) - Hand torch	1
N/S	316P45031E	4-5031	Air and power cable 50' (15 mts) - Hand torch	1
N/S	316P450328	4-5032	Air and power cable 25' (7.5 mts) - Machine torch	1
N/S	316P45033E	4-5033	Air and power cable 50' (15 mts) - Machine torch	1

CIRCLE CUTTING ATTACHMENT: See page no. 17