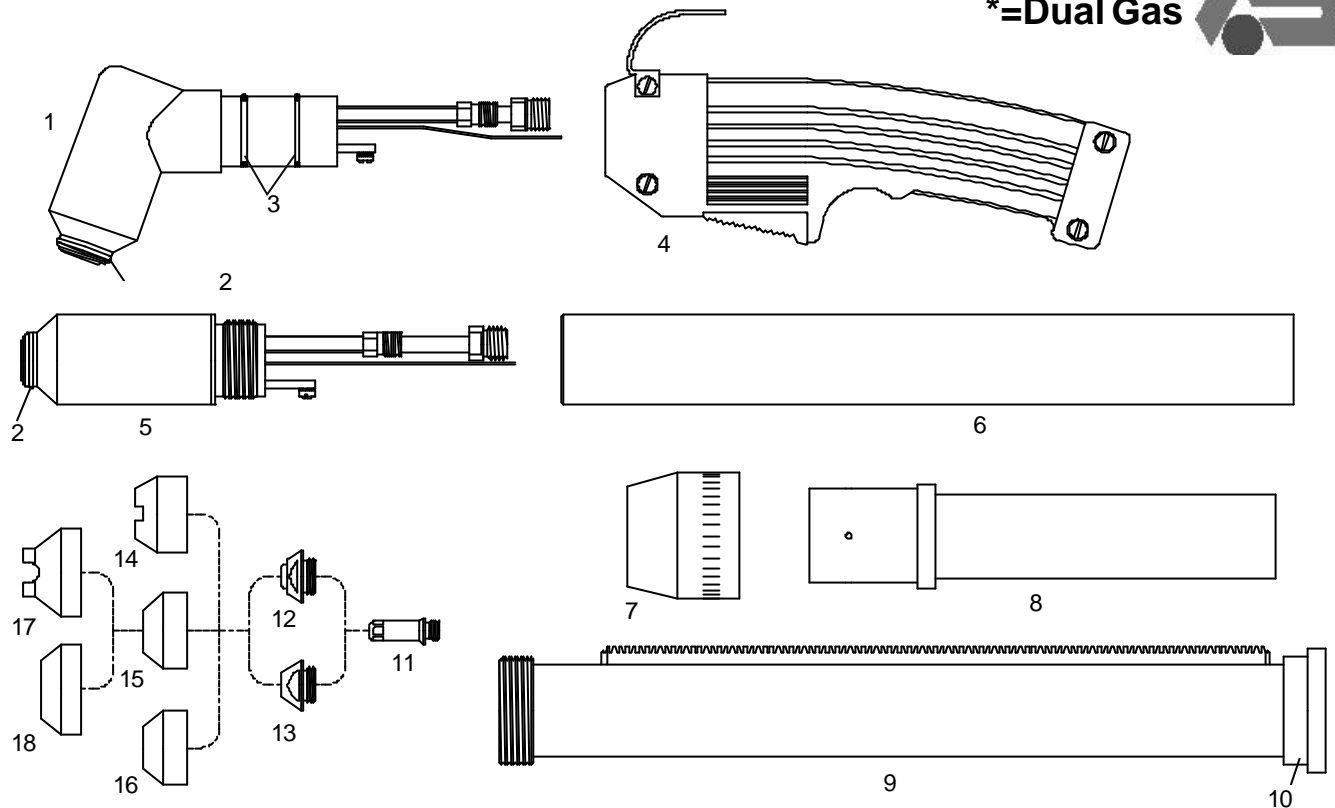




PCH/M-52

Pak-5XR*, Pak-6XR*, Pak-7XR, Pak-8XR, Pak-10XR, Pak-625XR*,
Pak-750XR*, Pak-1000XR, Pak-1250XR

*=Dual Gas



Pos.	Part no.	Ref. no.	Description	PU
N/S	441P884T28	2-2936	Hand torch complete with 25' (7.5 mts) cable	1
N/S	441P884T2G	2-2937	Hand torch complete with 50' (15 mts) cable	1
N/S	441P884T38	2-2938	Machine torch complete with 25' (7.5 mts) cable, (with handle item 6)	1
N/S	441P884T3G	2-2939	Machine torch complete with 50' (15 mts) cable, (with handle item 6)	1
1	441P884540	9-5642	70° Hand torch head PCH/M 52	1
2	365P170178	8-5525	O-Ring (shield cup)	20
3	365P884005	8-0536	O-Ring (handle)	20
4	380P200398	9-5644E	Handgrip complete with microswitch (incl. 9-5644, 9-5522, 8-4216)	1
5	441P884541	9-5643	180° Machine torch head PCH/M 52	1
6	441P884948	9-7833	Machine handle	1
7	441P884536	8-4018	Nut	1
8	441P884537	9-5637	Adaptor	1
9	441P884538	8-5005	Positioning tube	1
10	441P884539	8-4204	End cap	1
11	441P884533	8-3331	Electrode Air, long life	10
	441P884520	9-5619	Electrode Air (plated), long life	10
	441P884534	9-5711	Electrode Multi Gas	10
12	441P884521	9-5702	Tip 35A - Ø 0,90 - .035	10
	441P884522	9-5618	Tip 45-55A - Ø 1,10 - .043	10
	441P884524	9-5707	Tip 60-70A - Ø 1,20 - .047	10
	441P884542	9-5782	Tip 80A - Ø 1,32 - .052	10
	441P884525	9-5708	Tip 105A - Ø 1,50 - .059	10
13	441P884543	8-5129	Tip Gouging	10
	441P884523	9-5709	Tip Gouging 70A - Ø 1,99 - .078	10
	441P884526	9-5710	Tip Gouging 105A - Ø 2,36 - .093	10
	441P884527	9-5713	Tip Gouging 105A - Ø 2,87 - .113	10
14	441P529529	9-5694	Shield Cup-Crown Ceramic	10
15	441P884532	9-5781	Shield Cup Phenolic Std.	10
16	441P884528	9-5617	Shield Cup Std. Ceramic	10
17	441P884531	9-5780	Shield Cup-Crown (fits over 441P884532)	10
18	441P884544	9-5799	Shield Cup (fits over 441P884532)	10
N/S	316P450348	4-5034	Air and power cable 25' (7.5 mts) - Hand torch	1
N/S	316P45035E	4-5035	Air and power cable 50' (15 mts) - Hand torch	1
N/S	316P450368	4-5036	Air and power cable 25' (7.5 mts) - Machine torch	1
N/S	316P45037E	4-5037	Air and power cable 50' (15 mts) - Machine torch	1

CIRCLE CUTTING ATTACHMENT: See page no. 17