

You can use MAXI 250 spare parts
 È possibile utilizzare i ricambi della MAXI 250
 Es ist auch möglich die MAXI 250 Ersatzteile zu verwenden
 Il est possible d'utiliser les pièces d'usure de la torche MAXI 250



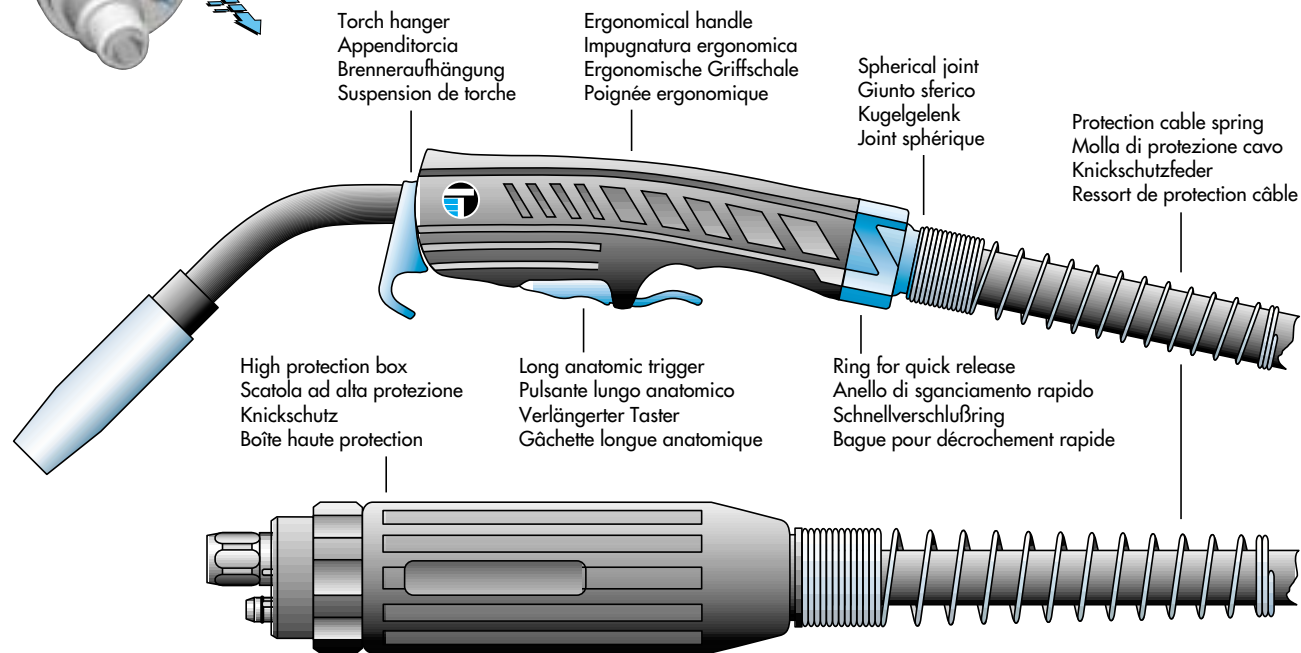
EURO-TW
FIXED PINS



EURO-TW
SPRING PINS

MAXI 350

| Code | m | Liner | Adaptor |
|---------|-----|-------|---------|
| MA 6350 | 3 | GM 12 | AR 81 |
| MA 6351 | 4 | GM 12 | AR 81 |
| MA 6352 | 4.6 | GM 12 | AR 81 |
| MA 6365 | 3 | GM 12 | AR 83 |
| MA 6366 | 4 | GM 12 | AR 83 |
| MA 6367 | 4.6 | GM 12 | AR 83 |



MAXI 350

MIG TORCHES



trafimet

your welding partner

TRAFIMET spa claims that all items on this catalogue are manufactured in conformity with the "low voltage" CE 73/23 directive as per EN 50078 standard. The company reserves the right to modify any of its products without notice. TRAFIMET spa is the registered owner of all trademarks, patents and models.

Copyright © June 1997 • by TRAFIMET spa (Print 12/98)

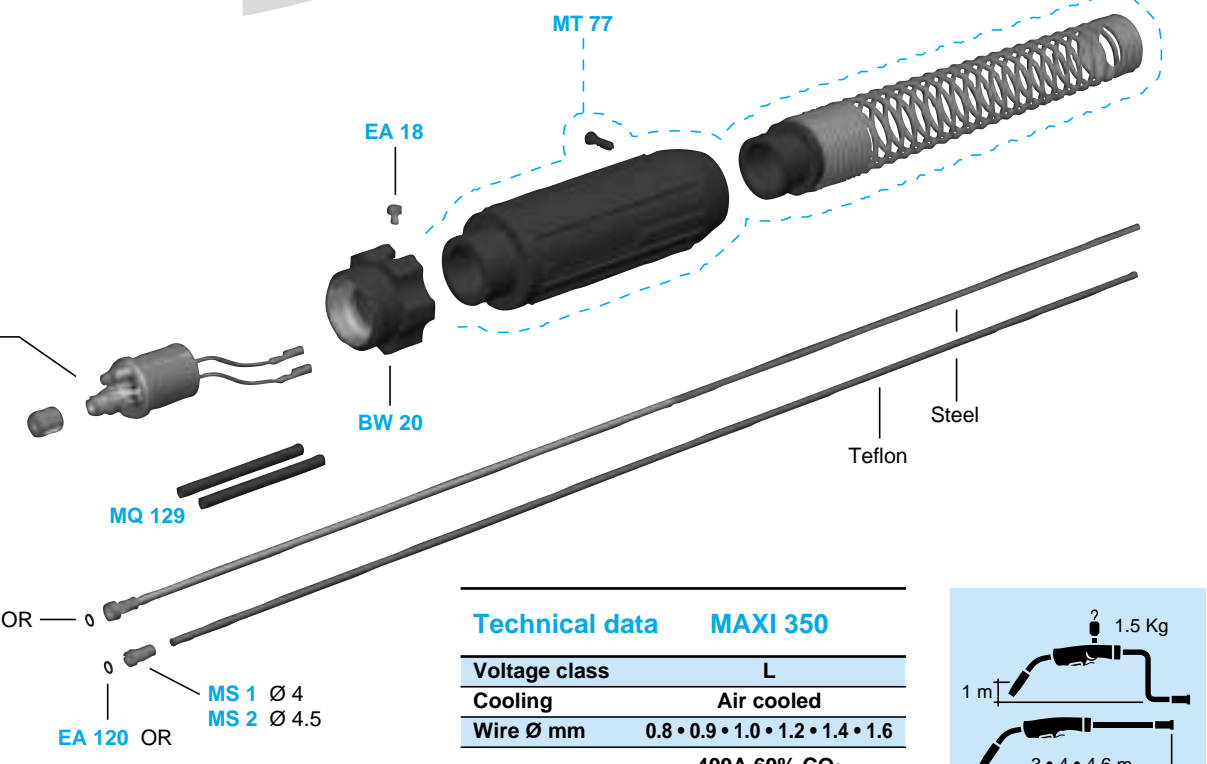
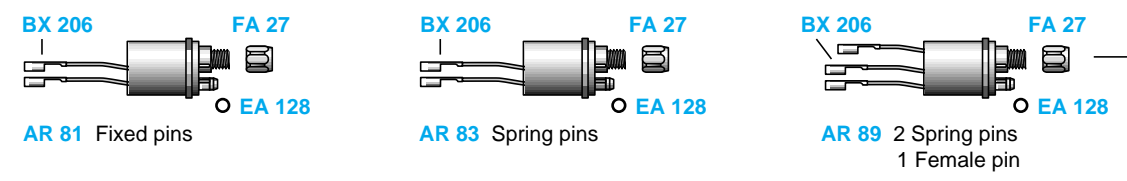
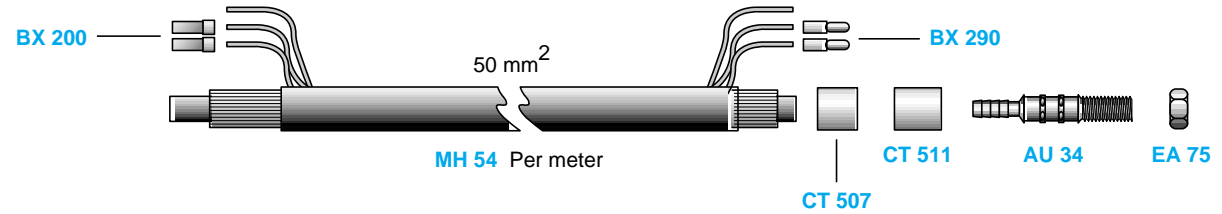
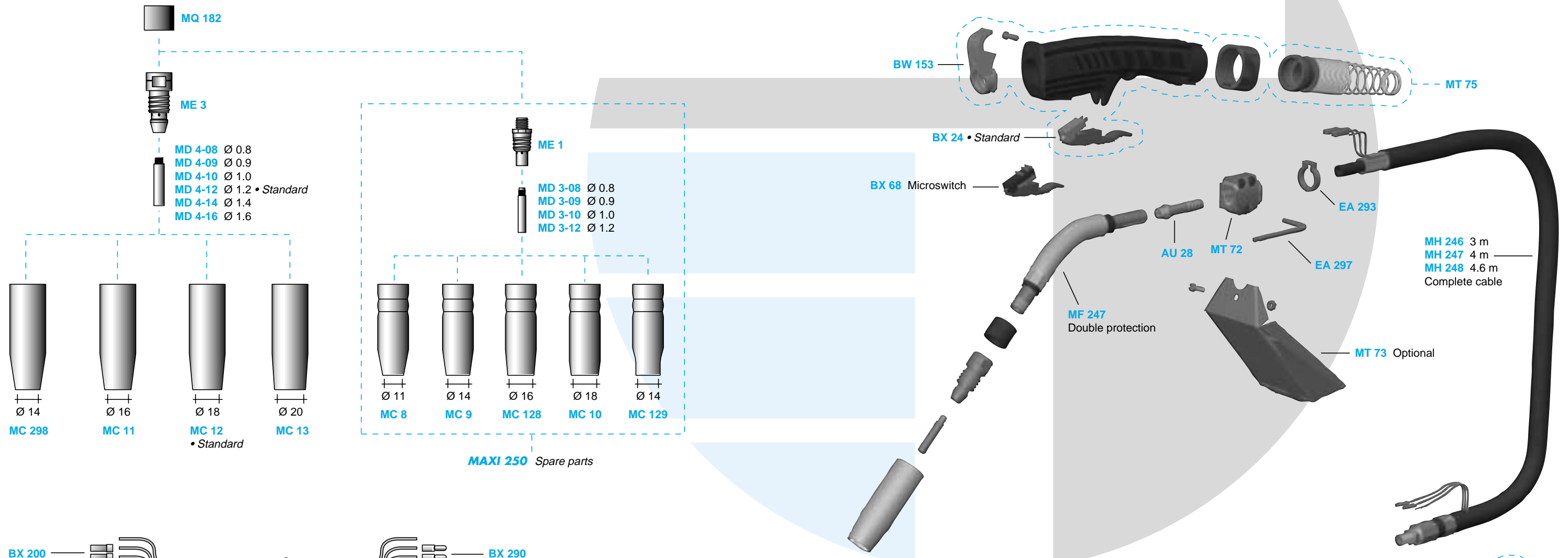
EA 0546



EN 50078

trafimet

your welding partner



STEEL
TEFLON
ALUMINIUM WIRE

| m | wire 0.9 ÷ 1.2 | wire 1.2 ÷ 1.6 | wire 1.6 ÷ 2.0 |
|-----|---------------------------|----------------------------|---------------------------|
| 4.6 | GM 226 44-3545-15 (Green) | GM 13 44-116-15 (Gray) | GM 221 44-567-15 (Yellow) |
| 4.6 | GM 230 42N3545-15 (Red) | GM 231 44N-116-15 (Yellow) | - |

| Technical data | | MAXI 350 |
|----------------|---|----------|
| Voltage class | L | |
| Cooling | Air cooled | |
| Wire Ø mm | 0.8 • 0.9 • 1.0 • 1.2 • 1.4 • 1.6 | |
| Duty cycle | 400A 60% CO ₂ 300A 60% Mix • 100% CO ₂ | |

