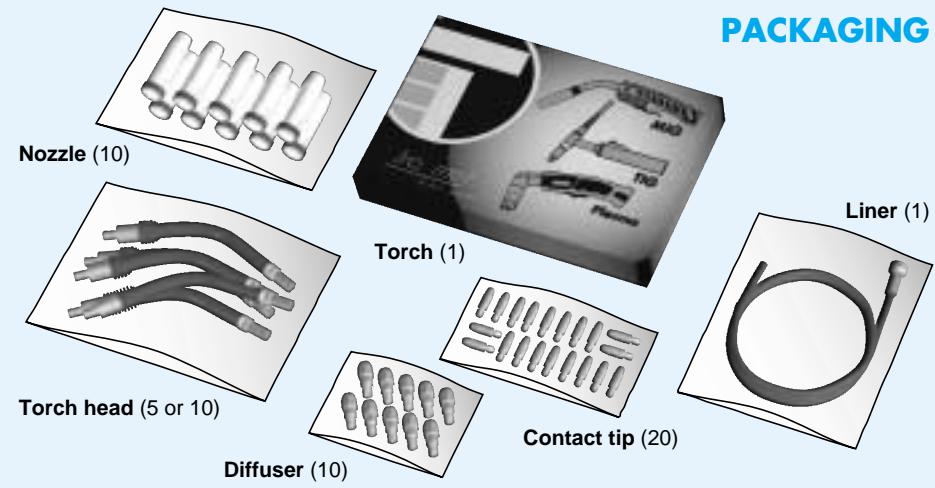


PACKAGING

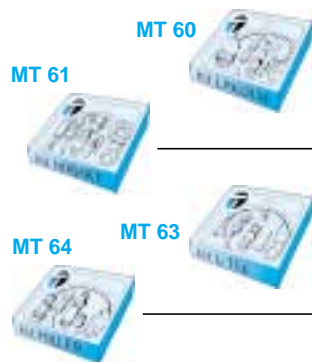
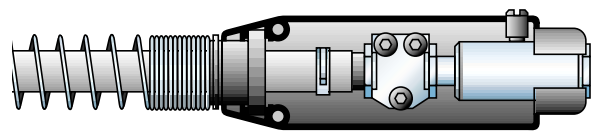


NEW HANDLE

MEGA 1



	Code	m	Feet	Liner	Adaptor
TW-MK	MA 5100	3	10	GM 12	AS 47
	MA 5101	4	12	GM 12	AS 47
	MA 5102	4.6	15	GM 12	AS 47
EURO-TW FIXED PINS	MA 5150	3	10	GM 12	AR 81
	MA 5151	4	12	GM 12	AR 81
	MA 5152	4.6	15	GM 12	AR 81
EURO-TW SPRING PINS	MA 5165	3	10	GM 12	AR 83
	MA 5166	4	12	GM 12	AR 83
	MA 5167	4.6	15	GM 12	AR 83



FB 2216
Optional



trafimet[®]
your welding partner

The parts advertised for sale are not genuine parts, but are parts made for and by TRAFIMET. References to manufacturer equipment, and/or trade names or trade-marks, are for identification and convenience only.
TRAFIMET spa claims that all items on this catalogue are manufactured in conformity with the "low voltage" CE 73/23 directive as per EN 50078 standard.
The company reserves the right to modify any of its products without notice.
TRAFIMET spa is the registered owner of all trademarks, patents and models.
Copyright © June 1997 • by TRAFIMET spa (Print 12/98) EA 0540



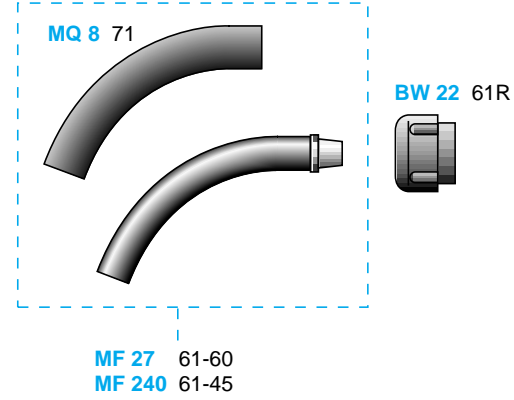
EN 50078

MEGA 1

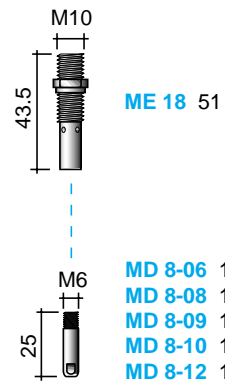
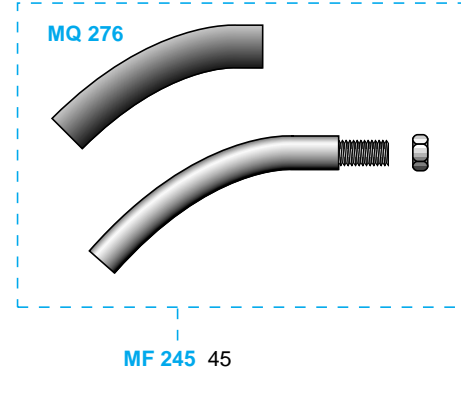
MIG TORCHES

trafimet[®]
your welding partner

Spare parts only for original TW 1

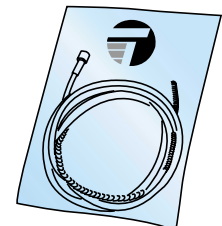
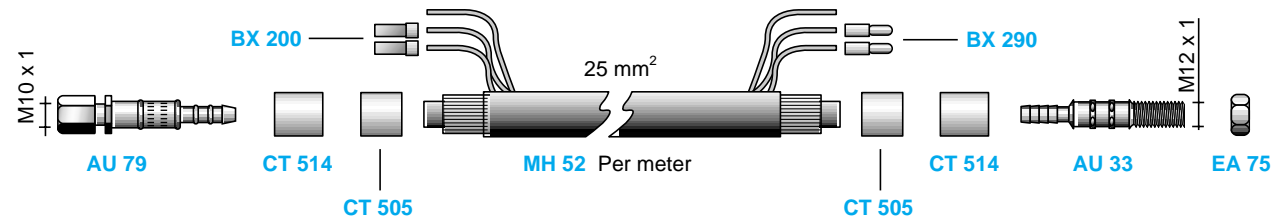
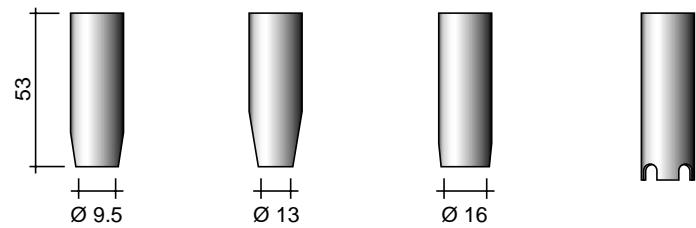


Spare parts only for MEGA 1



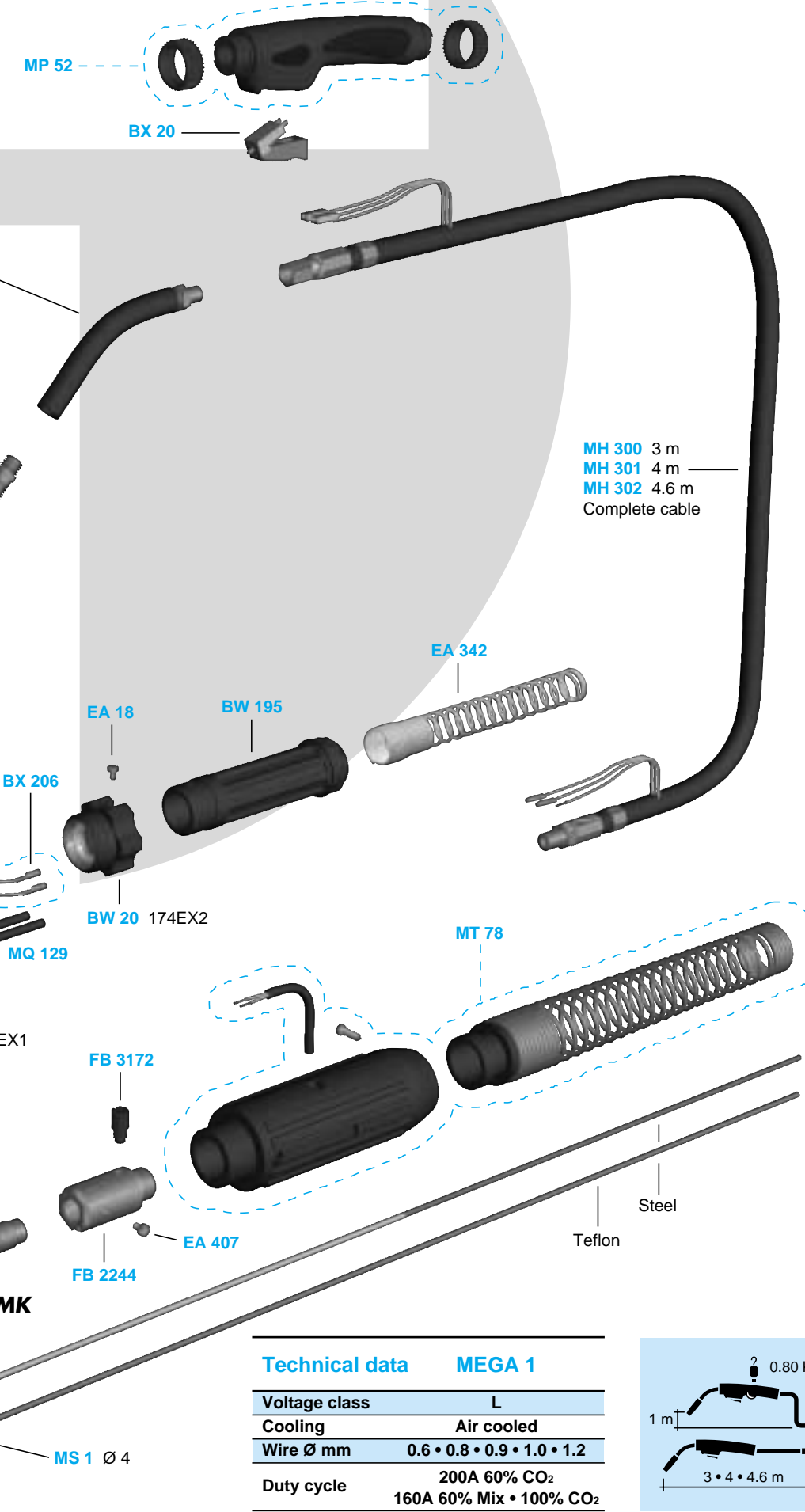
- MD 8-06 11-23 Ø 0.6
- MD 8-08 11-30 Ø 0.8 • Standard
- MD 8-09 11-35 Ø 0.9
- MD 8-10 11-40 Ø 1.0
- MD 8-12 11-45 Ø 1.2

- MC 30 21-37
- MC 31 21-50 • Standard
- MC 32 21-62
- MC 33 21-62 FAS



STEEL
TEFLON
ALUMINIUM WIRE

m	wire 0.8 ÷ 1.0	wire 1.0 ÷ 1.2	wire 0.9 ÷ 1.2
4.6	GM 11 42-3035-15 (Blue)	GM 12 42-4045-15 (Red)	-
4.6	-	-	GM 230 42N3545-15 (Red)



- MH 300 3 m
- MH 301 4 m
- MH 302 4.6 m
- Complete cable

Technical data	MEGA 1
Voltage class	L
Cooling	Air cooled
Wire Ø mm	0.6 • 0.8 • 0.9 • 1.0 • 1.2
Duty cycle	200A 60% CO ₂ 160A 60% Mix • 100% CO ₂

