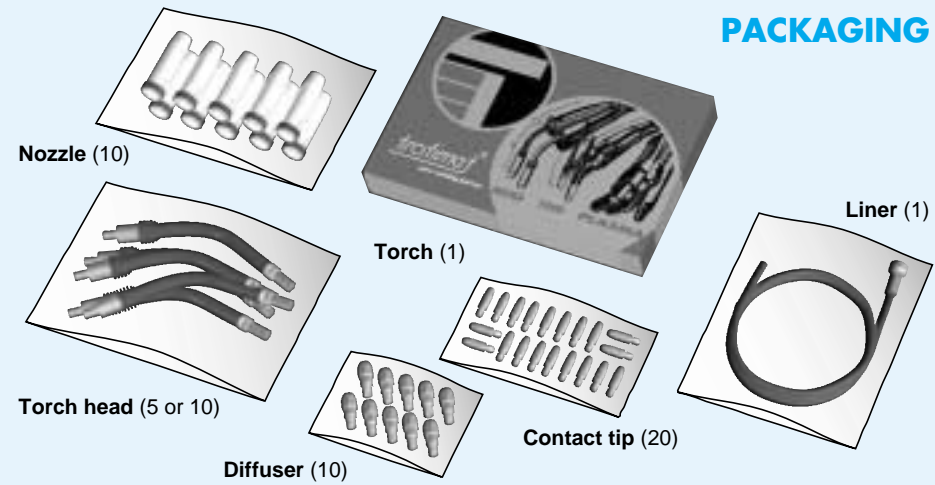


®

PACKAGING



	MEGA 4	m	Feet	Liner	Adaptor
EURO-TW FIXED PINS	MA 5450	3	10	GM 13	AR 81
	MA 5451	4	12	GM 13	AR 81
	MA 5452	4.6	15	GM 13	AR 81
EURO-TW SPRING PINS	MA 5465	3	10	GM 13	AR 83
	MA 5466	4	12	GM 13	AR 83
	MA 5467	4.6	15	GM 13	AR 83



NEW
NEW

MEGA 4

MIG TORCHES

trafimet®
your welding partner



trafimet®
your welding partner

TRAFIMET spa claim that all items on this catalogue are manufactured in conformity with the "low voltage" CE 73/23 directive as per EN 50078 standard. The company reserve the right to modify any products without notice. TRAFIMET spa is the registered owner of all trademarks, patents and models.

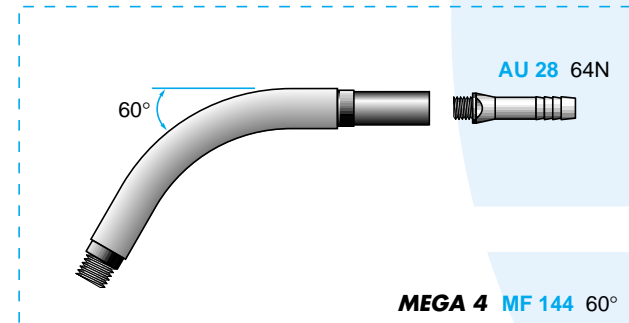
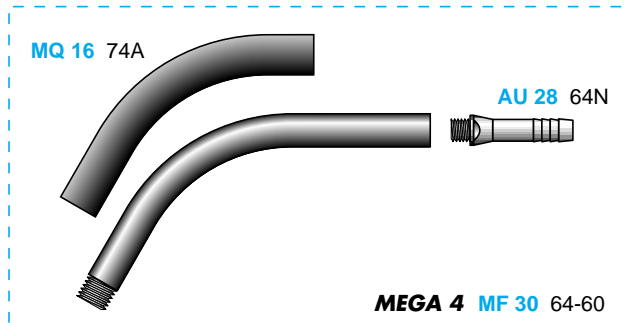
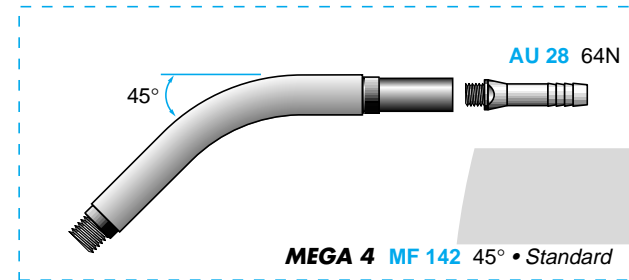
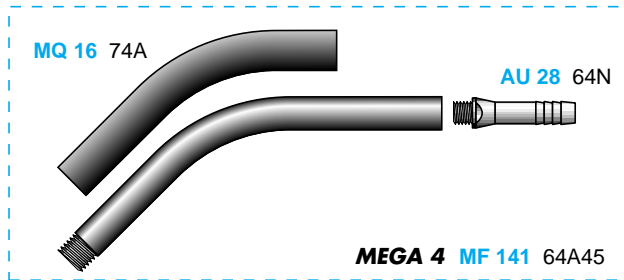
Copyright © June 1997 • by TRAFIMET spa (Print 11/99)

EA 0542

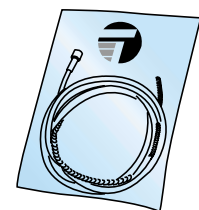
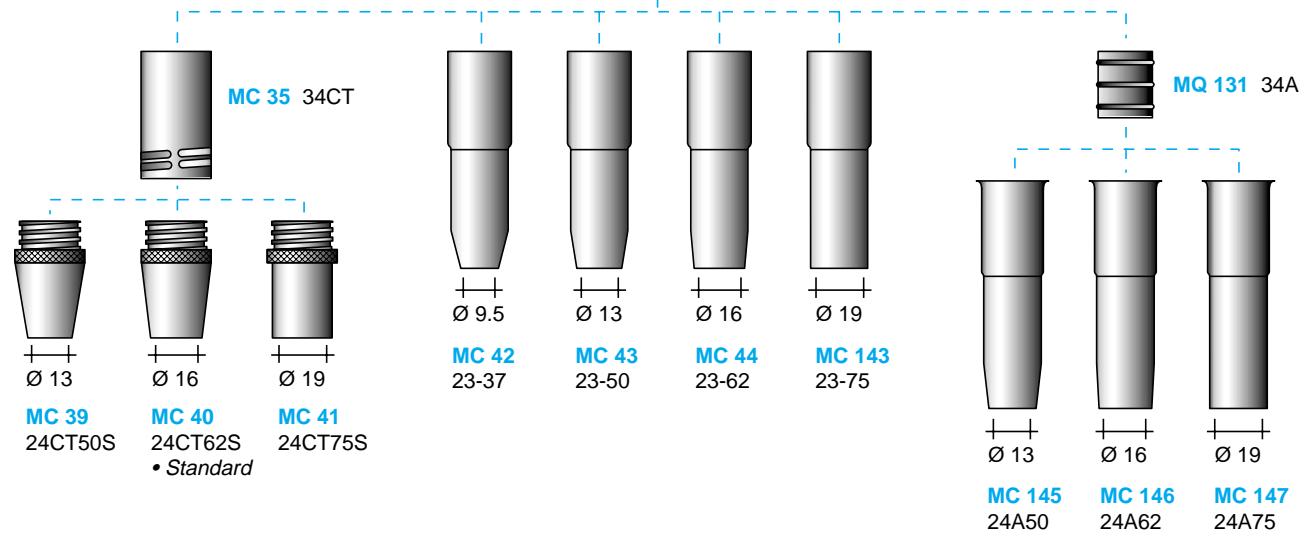
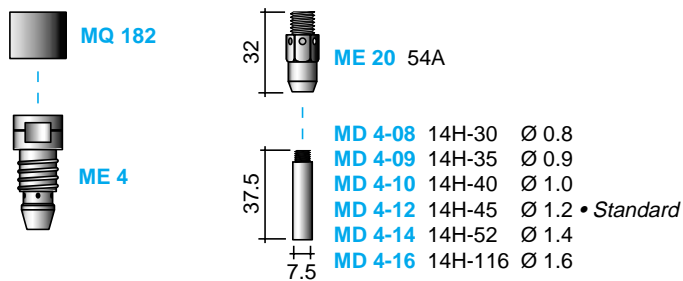


EN 50078

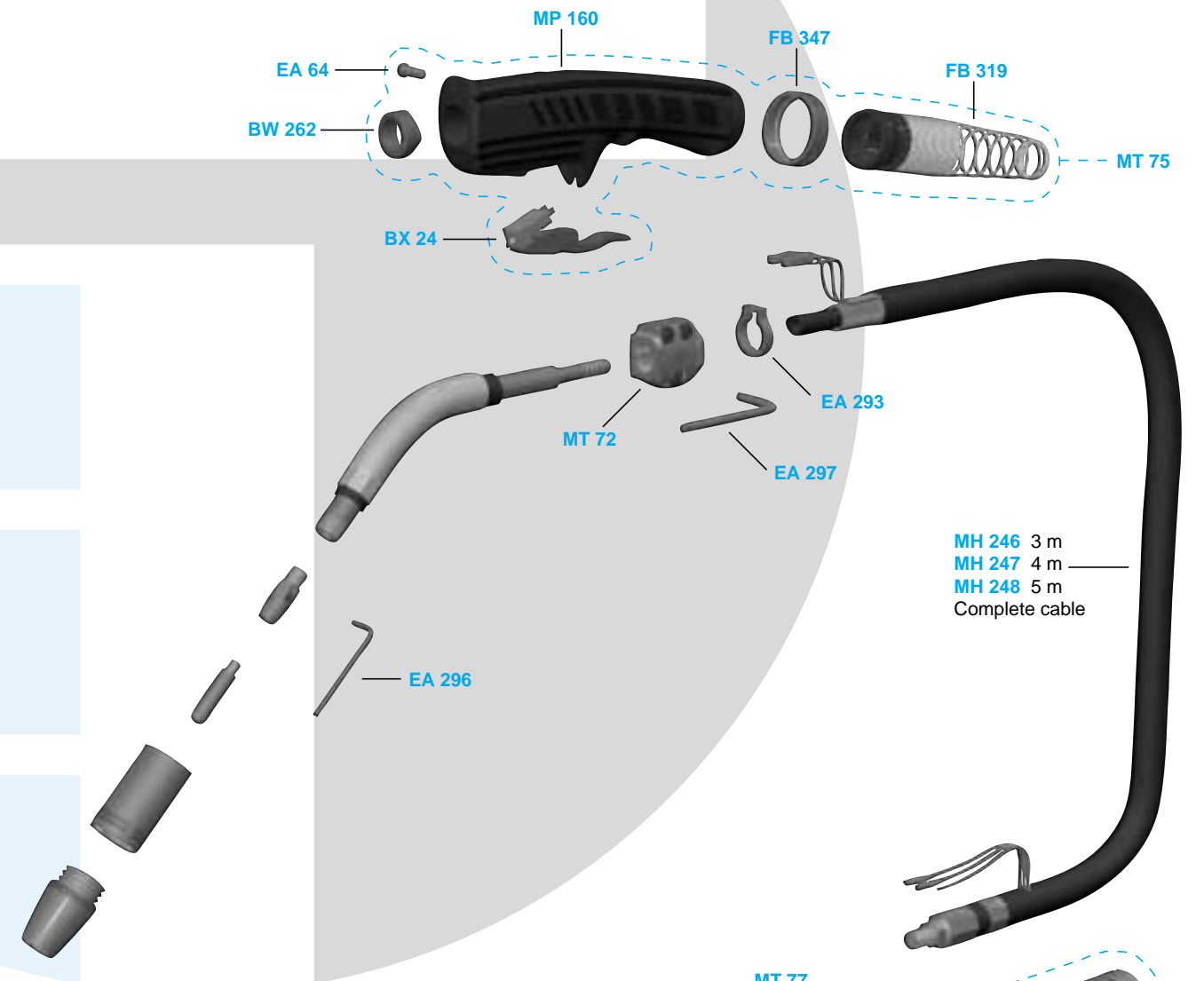
Double protection
Doppia protezione
Doppelte Isolierung
Double protection



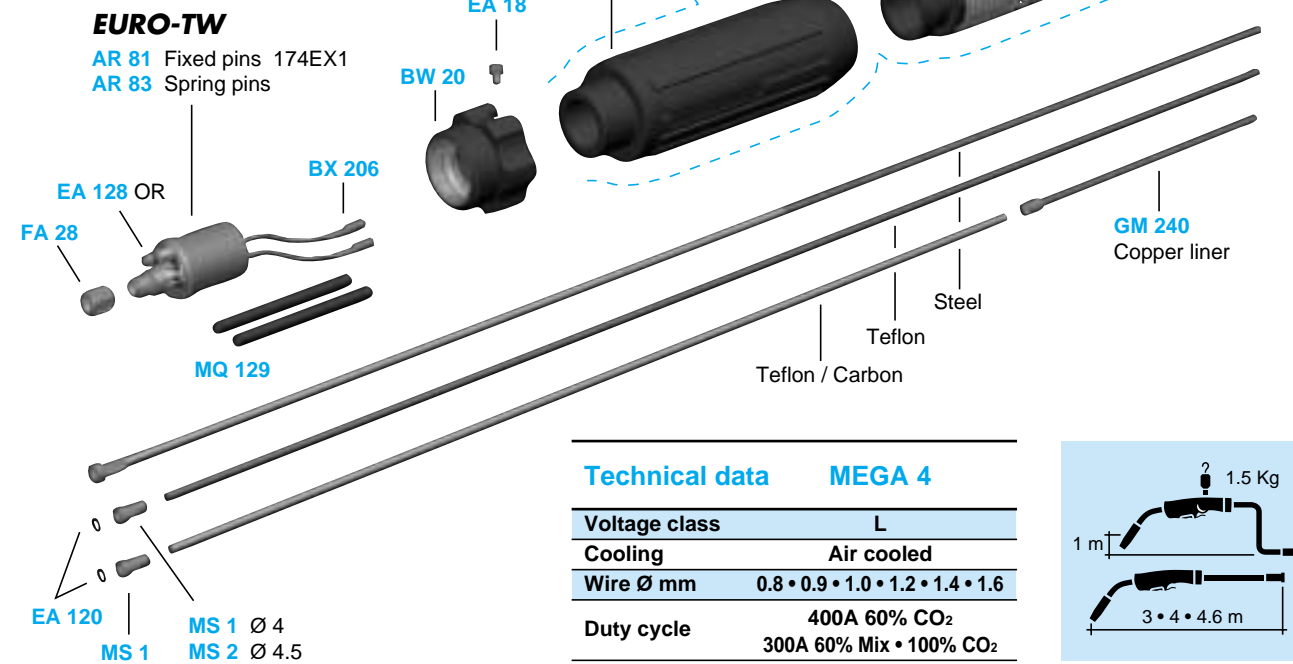
For use of MAXI 350 spare parts
Per utilizzo ricambi MAXI 350
Mit MAXI 350 - Ersatzteilen benutzbar
Pour l'utilisation de pieces MAXI 350



	STEEL	TEFLON	Special liners for aluminium		
			TEFLON	TEFLON-GRAPHITE	CARBON
m			(wire 0.9 + 1.2)		
4.6	GM 226 (Green)	GM 230 (Red)			
			(wire 1.2 + 1.6)		
4.6	GM 13 (Gray)	GM 231 (Yellow)	GM 705 (Red)	GM 706	GM 707
			(wire 1.6 + 2.0)		
4.6	GM 221 (Yellow)	-			



MH 246 3 m
MH 247 4 m
MH 248 5 m
Complete cable



Technical data	MEGA 4
Voltage class	L
Cooling	Air cooled
Wire Ø mm	0.8 • 0.9 • 1.0 • 1.2 • 1.4 • 1.6
Duty cycle	400A 60% CO ₂ 300A 60% Mix • 100% CO ₂

